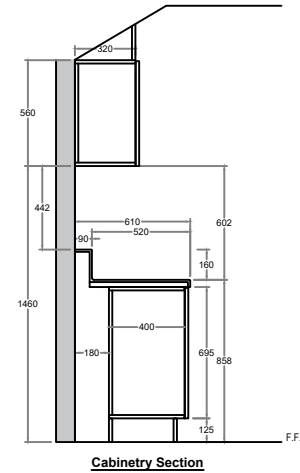
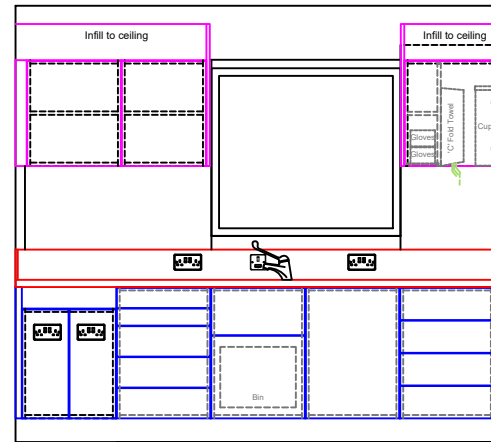


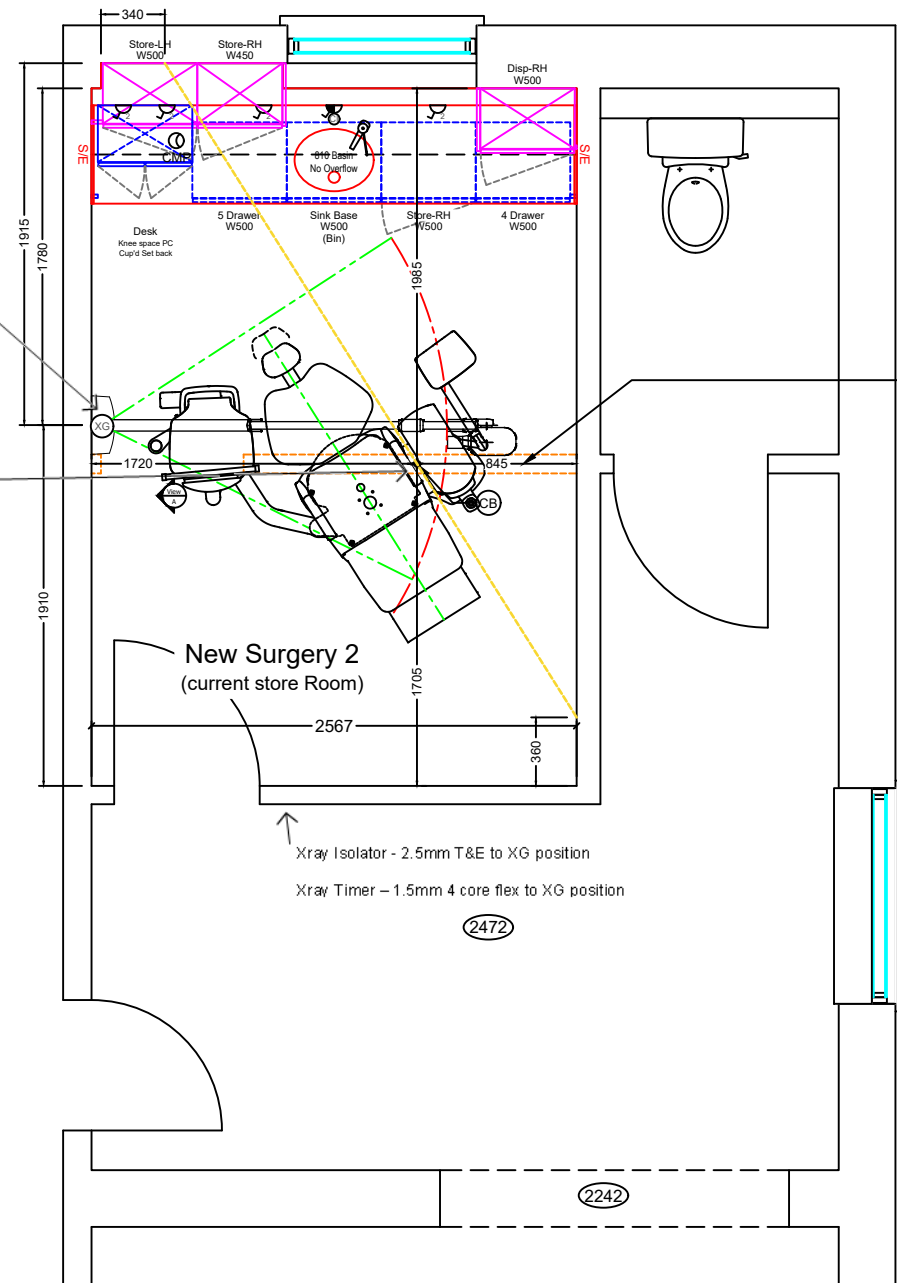
View A



Xray (XG)
 2.5mm T&E from XI (xray isolator) to this location
 1.5mm 4 core flex from XT (xray timer) to this location
 Cable outlet – 1300FFL

CB:
 Plumbing:
 - Cold Water
 - Compressed air
 - Suction Pipe (40mm UPVC to suction pump)
 - Aux pipe to behind sink in cabinetry
 Electrical:
 - Power supply from chair isolator
 - Suction switch cable to pump location

Suction Pump: (position not shown on this drawing)
 Plumbing:
 40mm UPVC Pipe to chair
 Waste (foul)
 40mm exhaust pipe to outside
 Electrical:
 Power supply
 Switch cable to chair



PROPOSED FLOOR PLAN

IMPORTANT NOTES

WORK TO FIGURED DIMENSIONS ONLY.
 CHECK DIMENSIONS ON SITE BEFORE COMMENCING WORK.
ANY DISCREPANCIES SHOULD BE REPORTED BACK TO OUR OFFICE.

X-RAY LOCATION / RPA

Any indications given in respect of radiation protection, the siting of x-ray equipment and / or x-ray controls is for guidance purposes only. It is for your appointed RPA to review the environment in which the x-ray machine is to operate and to ensure your compliance under IRR99. This drawing should not be used as the basis for any design, construction work or the provisioning of services involving x-ray equipment without the approval of your RPA.

THIS DESIGN SHOULD BE APPROVED BY YOUR INFECTION CONTROL ADVISOR PRIOR TO COMMENCEMENT OF WORKS.



Park Farm Lane, Nuthampstead
 Herts SG8 8LZ

Tel: 01763 849990
 Email: info@angliandental.co.uk

CLIENT: JESUTHASAN

LOCATION: WHITE HOUSE DENTAL PRACTICE
 45 HIGH STREET, WOKING, SURREY
 GU21 2PX

JOB: FIT-OUT

ROOM: NEW SURGERY IN CURRENT STORE ROOM

JOB REF: 048012

DRAWING No: D40395

Rev

-

DRAWING SCALE: 1:40

A3

	NAME	DATE
DRAWN BY:	GH	08/09/2023
CHECKED BY:	*	*

DO NOT SCALE FROM THIS DRAWING.

ALL DIMENSIONS ARE IN mm UNLESS OTHERWISE STATED

THIS DRAWING IS AN ANGLIAN DENTAL ENGINEERING A3 ORIGINAL

COPYRIGHT ANGLIAN DENTAL ENGINEERING ©2023