

IMPORTANT NOTES
 WORK TO FIGURED DIMENSIONS ONLY.
 CHECK DIMENSIONS ON SITE BEFORE COMMENCING WORK.
ANY DISCREPANCIES SHOULD BE REPORTED BACK TO OUR OFFICE.

X-RAY LOCATION / RPA
 Any indications given in respect of radiation protection, the siting of x-ray equipment and / or x-ray controls is for guidance purposes only. It is for your appointed RPA to review the environment in which the x-ray machine is to operate and to ensure your compliance under IRR99. This drawing should not be used as the basis for any design, construction work or the provisioning of services involving x-ray equipment without the approval of your RPA.

THIS DESIGN SHOULD BE APPROVED BY YOUR INFECTION CONTROL ADVISOR PRIOR TO COMMENCEMENT OF WORKS.



Park Farm Lane, Nuthampstead
 Herts SG8 8LZ

Tel: 01763 849990
 Email: info@angliandental.co.uk

CLIENT: DR. RISHIN PATEL

LOCATION: 24 HIGH VIEW
 HATFIELD, HERTS
 AL10 8HZ

JOB: FIT-OUT

TITLE: GROUND FLOOR LAYOUT PLAN

JOB REF: 042859

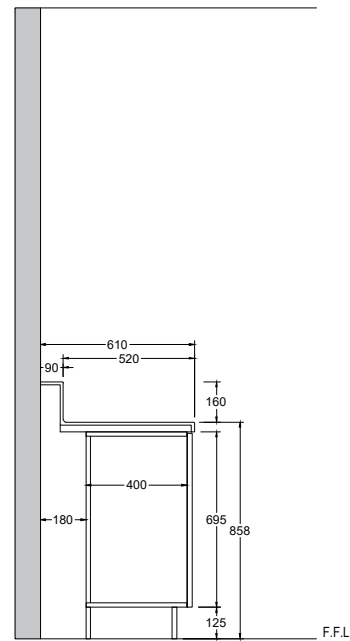
DRAWING No: D40108 Rev F

ARCH dwg: SP568-02C

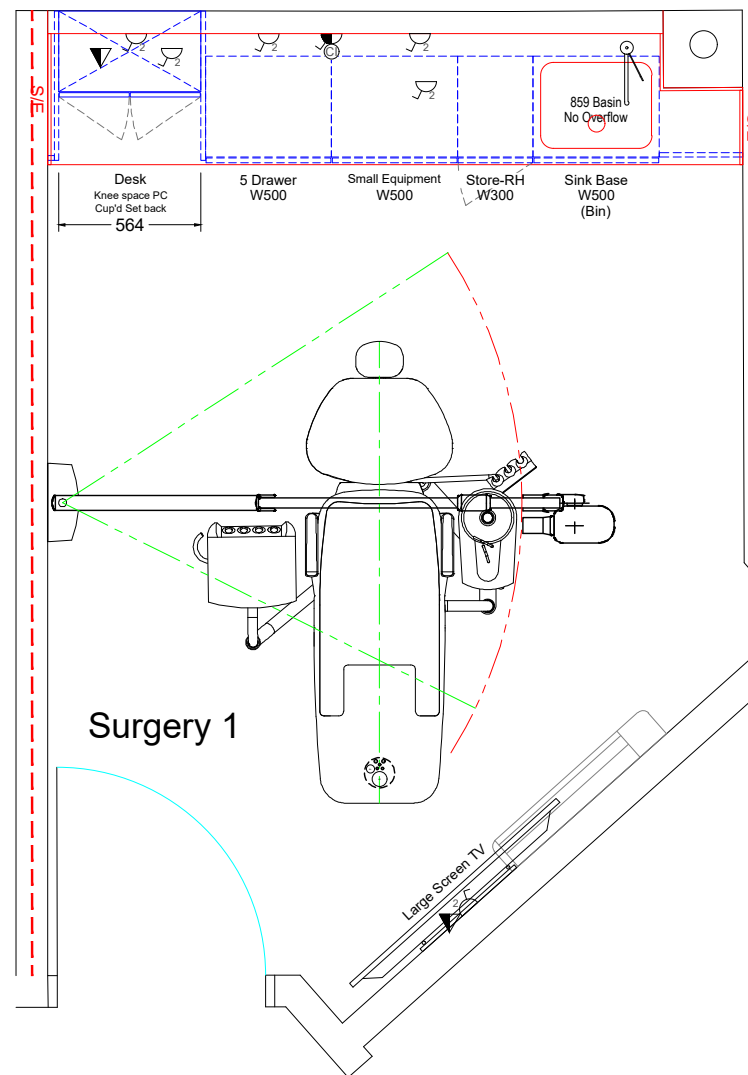
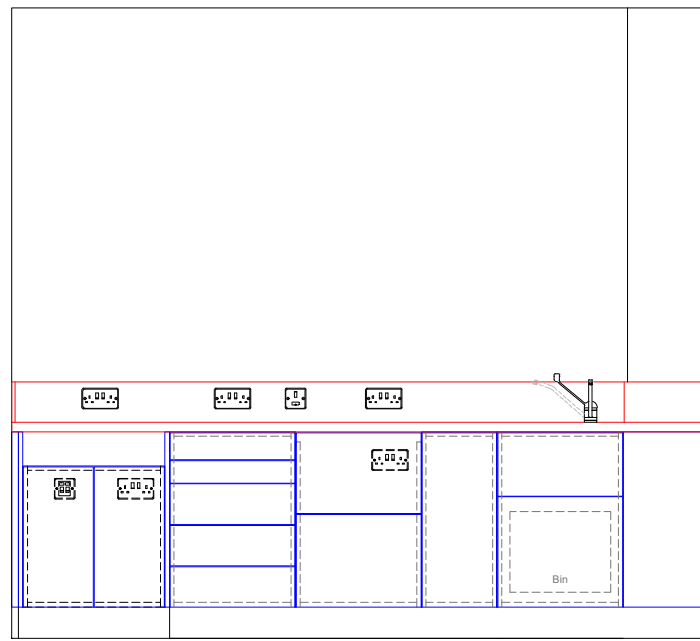
DRAWING SCALE: 1:50 A3

	NAME	DATE
DRAWN BY:	GH	16/03/2023
CHECKED BY:	*	*

DO NOT SCALE FROM THIS DRAWING.
 ALL DIMENSIONS ARE IN mm UNLESS OTHERWISE STATED
 THIS DRAWING IS AN ANGLIAN DENTAL ENGINEERING A3 ORIGINAL
 COPYRIGHT ANGLIAN DENTAL ENGINEERING ©2023



Cabinetry Section



NOTE:
Handles are removed for clarity and will be fitted unless handle free has been quoted

IMPORTANT NOTES

WORK TO FIGURED DIMENSIONS ONLY.
CHECK DIMENSIONS ON SITE BEFORE COMMENCING WORK.

ANY DISCREPANCIES SHOULD BE REPORTED BACK TO OUR OFFICE.

X-RAY LOCATION / RPA

Any indications given in respect of radiation protection, the siting of x-ray equipment and / or x-ray controls is for guidance purposes only. It is for your appointed RPA to review the environment in which the x-ray machine is to operate and to ensure your compliance under IRR99. This drawing should not be used as the basis for any design, construction work or the provisioning of services involving x-ray equipment without the approval of your RPA.

THIS DESIGN SHOULD BE APPROVED BY YOUR INFECTION CONTROL ADVISOR PRIOR TO COMMENCEMENT OF WORKS.



Park Farm Lane, Nuthampstead
Herts SG8 8LZ

Tel: 01763 849990
Email: info@angliandental.co.uk

CLIENT: DR. RISHIN PATEL

LOCATION: 24 HIGH VIEW
HATFIELD, HERTS
AL10 8HZ

JOB: FIT-OUT

ROOM: SURGERY 1

JOB REF: 042859

DRAWING No: D40108

Rev

F

ARCH dwg: SP568-02C

DRAWING SCALE: 1:30

A3

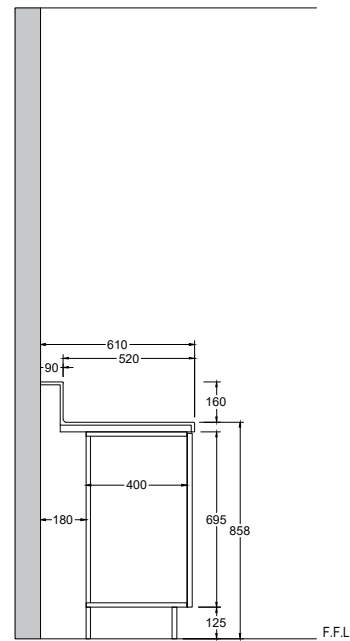
	NAME	DATE
DRAWN BY:	GH	16/03/2023
CHECKED BY:	*	*

DO NOT SCALE FROM THIS DRAWING.

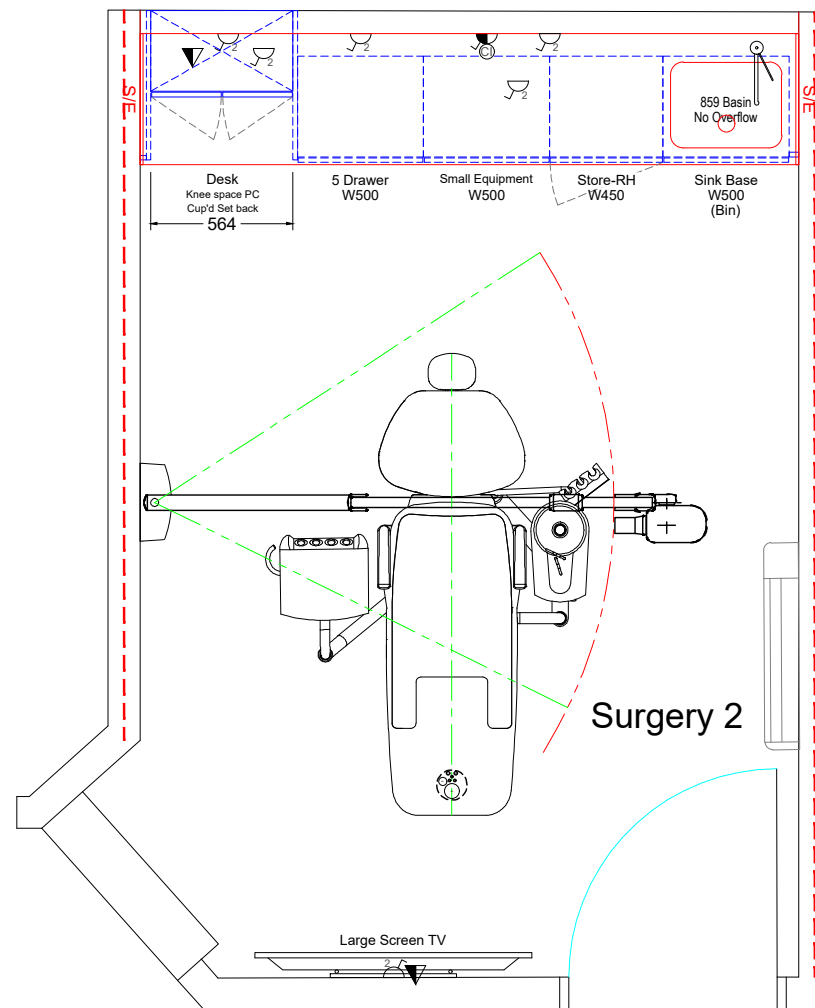
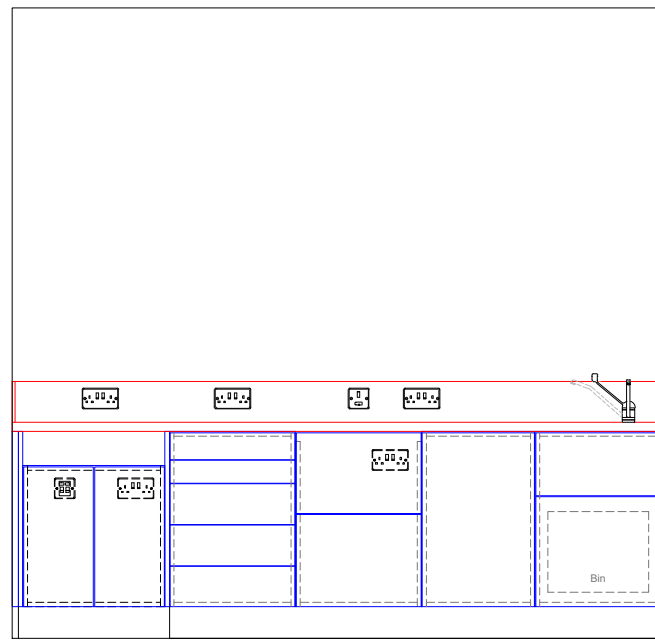
ALL DIMENSIONS ARE IN mm UNLESS OTHERWISE STATED

THIS DRAWING IS AN ANGLIAN DENTAL ENGINEERING A3 ORIGINAL

COPYRIGHT ANGLIAN DENTAL ENGINEERING ©2023



Cabinetry Section



NOTE:
Handles are removed for clarity and will be fitted unless handle free has been quoted

IMPORTANT NOTES

WORK TO FIGURED DIMENSIONS ONLY.
CHECK DIMENSIONS ON SITE BEFORE COMMENCING WORK.

ANY DISCREPANCIES SHOULD BE REPORTED BACK TO OUR OFFICE.

X-RAY LOCATION / RPA

Any indications given in respect of radiation protection, the siting of x-ray equipment and / or x-ray controls is for guidance purposes only. It is for your appointed RPA to review the environment in which the x-ray machine is to operate and to ensure your compliance under IRR99. This drawing should not be used as the basis for any design, construction work or the provisioning of services involving x-ray equipment without the approval of your RPA.

THIS DESIGN SHOULD BE APPROVED BY YOUR INFECTION CONTROL ADVISOR PRIOR TO COMMENCEMENT OF WORKS.



Park Farm Lane, Nuthampstead
Herts SG8 8LZ

Tel: 01763 849990
Email: info@angliandental.co.uk

CLIENT: DR. RISHIN PATEL

LOCATION: 24 HIGH VIEW
HATFIELD, HERTS
AL10 8HZ

JOB: FIT-OUT

ROOM: SURGERY 2

JOB REF: 042859

DRAWING No: D40108	Rev
	F

ARCH dwg: SP568-02C

DRAWING SCALE: 1:30	A3
----------------------------	-----------

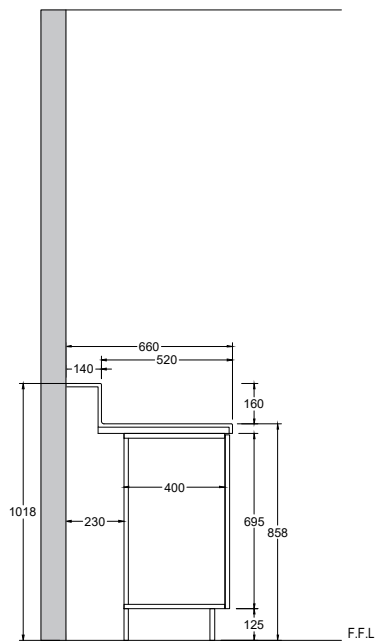
	NAME	DATE
DRAWN BY:	GH	16/03/2023
CHECKED BY:	*	*

DO NOT SCALE FROM THIS DRAWING.

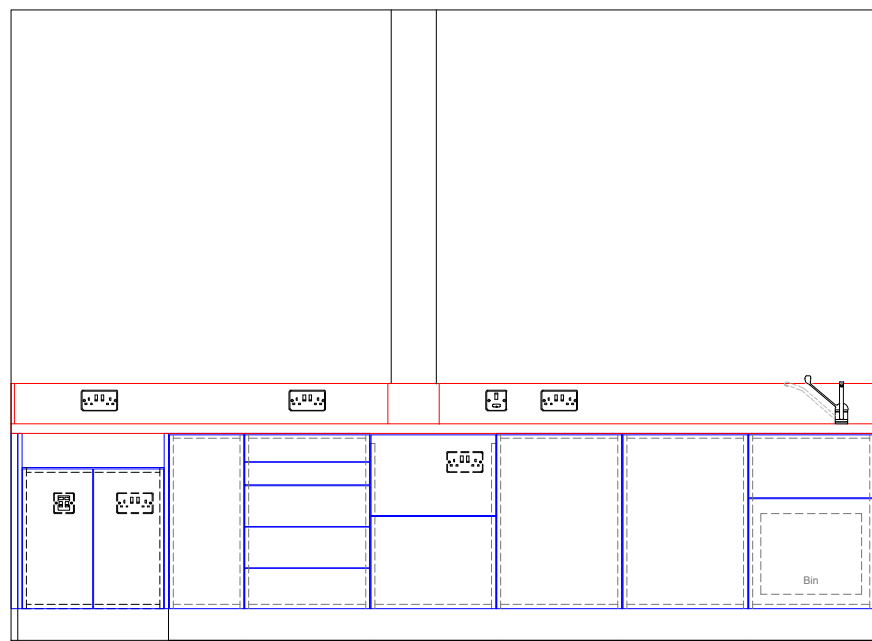
ALL DIMENSIONS ARE IN mm UNLESS OTHERWISE STATED

THIS DRAWING IS AN ANGLIAN DENTAL ENGINEERING A3 ORIGINAL

COPYRIGHT ANGLIAN DENTAL ENGINEERING ©2023

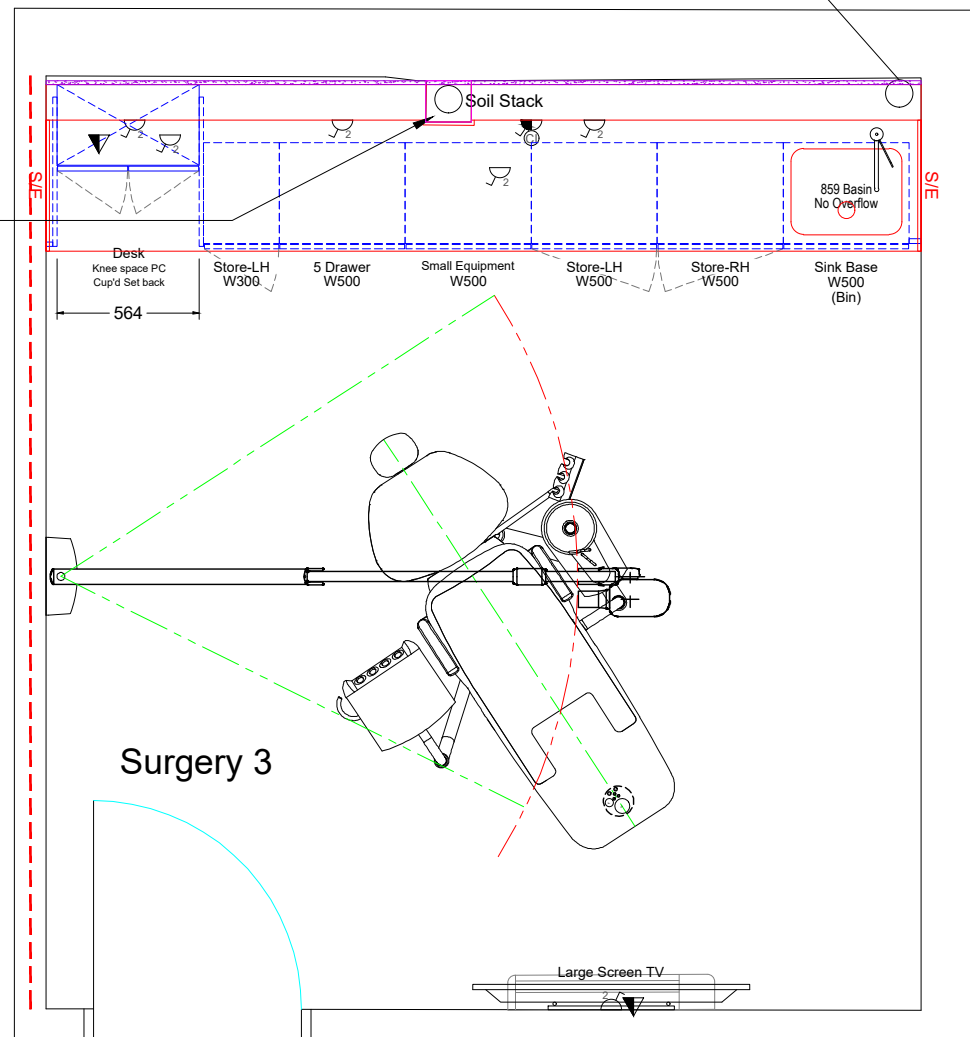


Cabinetry Section



Exg stub stack with air admittance valve in cabinetry.

Scribe wall unit and worktop to Soil pipe boxing



NOTE:
Handles are removed for clarity and will be fitted unless handle free has been quoted

IMPORTANT NOTES

WORK TO FIGURED DIMENSIONS ONLY.
CHECK DIMENSIONS ON SITE BEFORE COMMENCING WORK.

ANY DISCREPANCIES SHOULD BE REPORTED BACK TO OUR OFFICE.

X-RAY LOCATION / RPA

Any indications given in respect of radiation protection, the siting of x-ray equipment and / or x-ray controls is for guidance purposes only. It is for your appointed RPA to review the environment in which the x-ray machine is to operate and to ensure your compliance under IRR99. This drawing should not be used as the basis for any design, construction work or the provisioning of services involving x-ray equipment without the approval of your RPA.

THIS DESIGN SHOULD BE APPROVED BY YOUR INFECTION CONTROL ADVISOR PRIOR TO COMMENCEMENT OF WORKS.



Park Farm Lane, Nuthampstead
Herts SG8 8LZ

Tel: 01763 849990
Email: info@angliandental.co.uk

CLIENT: DR. RISHIN PATEL

LOCATION: 24 HIGH VIEW
HATFIELD, HERTS
AL10 8HZ

JOB: FIT-OUT

ROOM: SURGERY 3

JOB REF: 042859

DRAWING No: D40108

Rev

F

ARCH dwg: SP568-02C

DRAWING SCALE: 1:30

A3

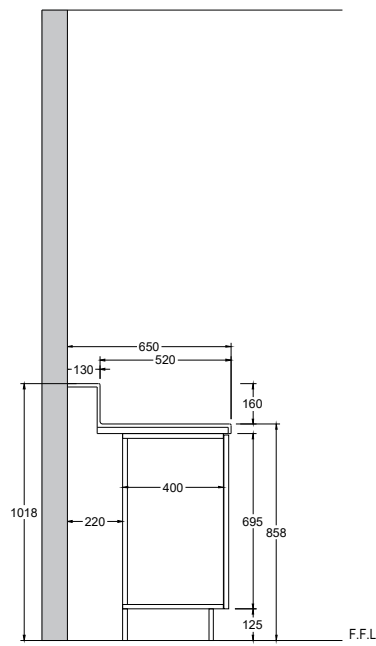
	NAME	DATE
DRAWN BY:	GH	16/03/2023
CHECKED BY:	*	*

DO NOT SCALE FROM THIS DRAWING.

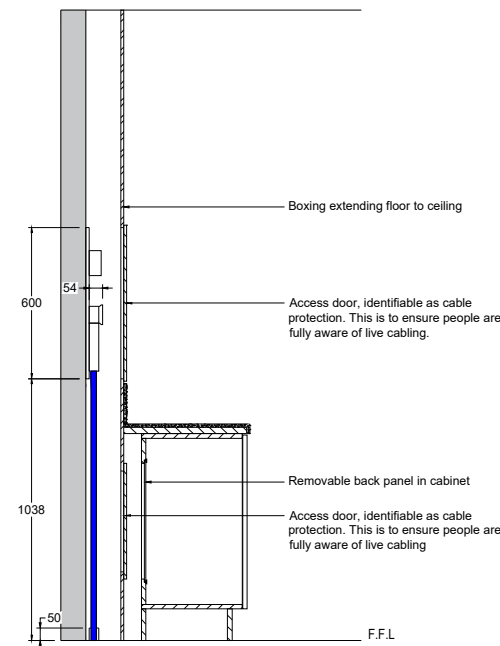
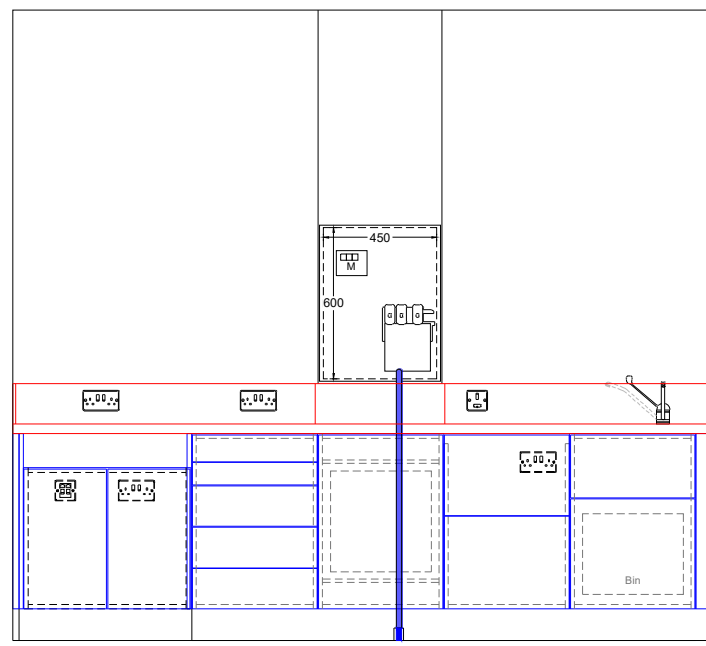
ALL DIMENSIONS ARE IN mm UNLESS OTHERWISE STATED

THIS DRAWING IS AN ANGLIAN DENTAL ENGINEERING A3 ORIGINAL

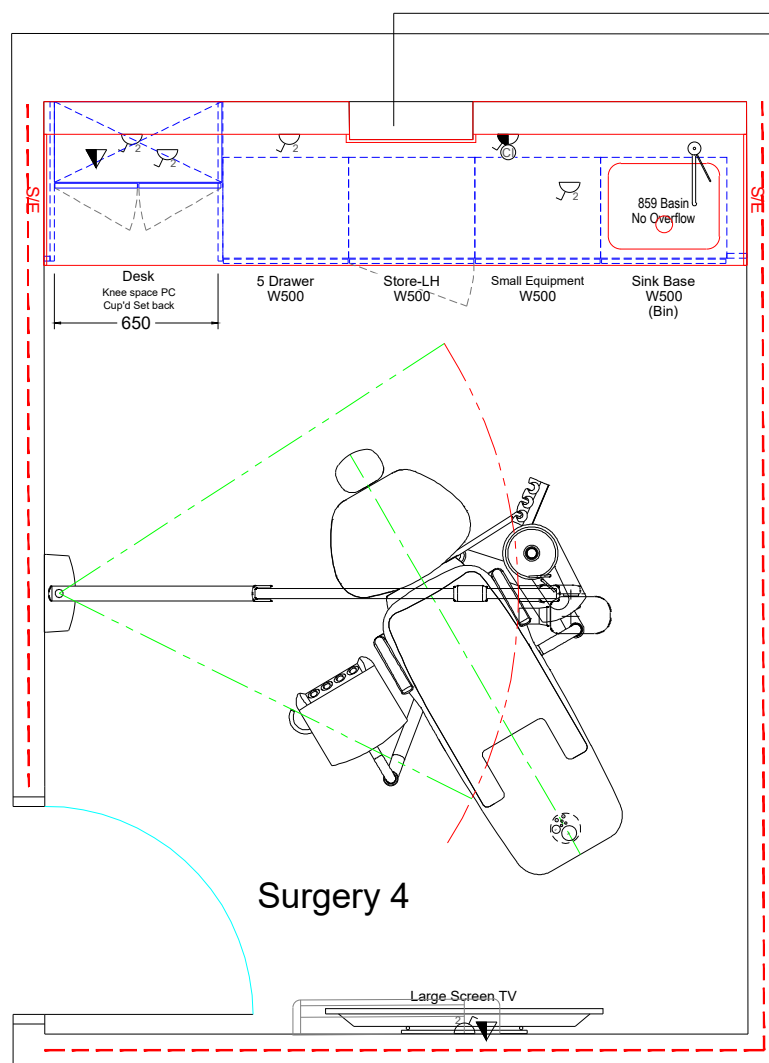
COPYRIGHT ANGLIAN DENTAL ENGINEERING ©2023



Cabinetry Section



Incoming Electrical Services Section



Boxing for incoming services.
Elec meter to be located
at high level above worktop capping

NOTE:
Handles are removed for clarity and will be fitted unless handle free has been quoted

IMPORTANT NOTES
WORK TO FIGURED DIMENSIONS ONLY.
CHECK DIMENSIONS ON SITE BEFORE COMMENCING WORK.
ANY DISCREPANCIES SHOULD BE REPORTED BACK TO OUR OFFICE.

X-RAY LOCATION / RPA
Any indications given in respect of radiation protection, the siting of x-ray equipment and / or x-ray controls is for guidance purposes only. It is for your appointed RPA to review the environment in which the x-ray machine is to operate and to ensure your compliance under IRR99. This drawing should not be used as the basis for any design, construction work or the provisioning of services involving x-ray equipment without the approval of your RPA.

THIS DESIGN SHOULD BE APPROVED BY YOUR INFECTION CONTROL ADVISOR PRIOR TO COMMENCEMENT OF WORKS.



Park Farm Lane, Nuthampstead
Herts SG8 8LZ

Tel: 01763 849990
Email: info@angliandental.co.uk

CLIENT: DR. RISHIN PATEL

LOCATION: 24 HIGH VIEW
HATFIELD, HERTS
AL10 8HZ

JOB: FIT-OUT

ROOM: SURGERY 4

JOB REF: 042859

DRAWING No: D40108

Rev

F

ARCH dwg: SP568-02C

DRAWING SCALE: 1:30

A3

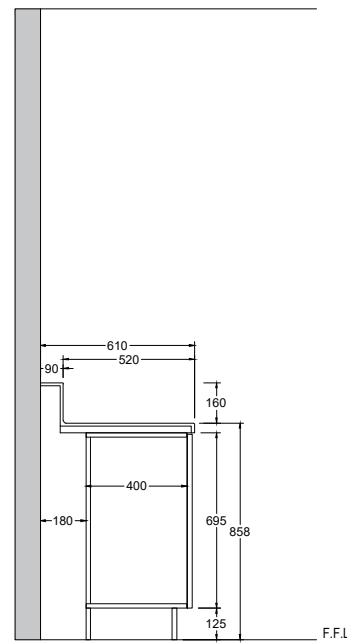
	NAME	DATE
DRAWN BY:	GH	16/03/2023
CHECKED BY:	*	*

DO NOT SCALE FROM THIS DRAWING.

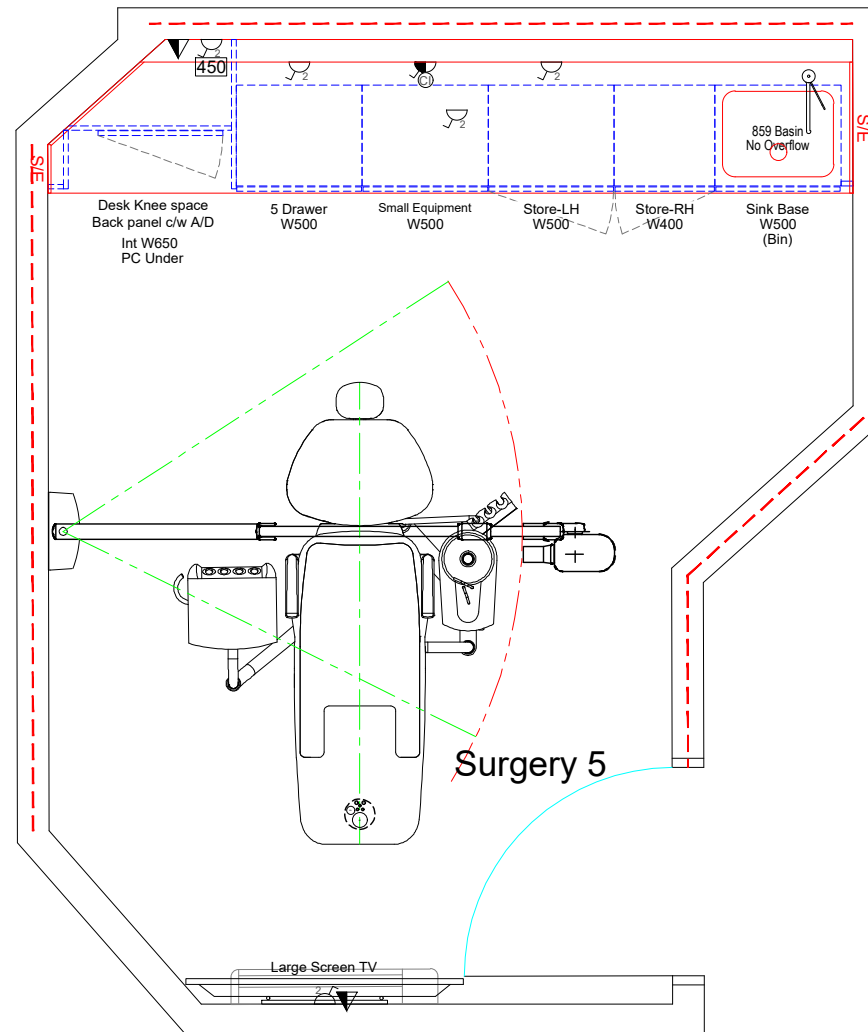
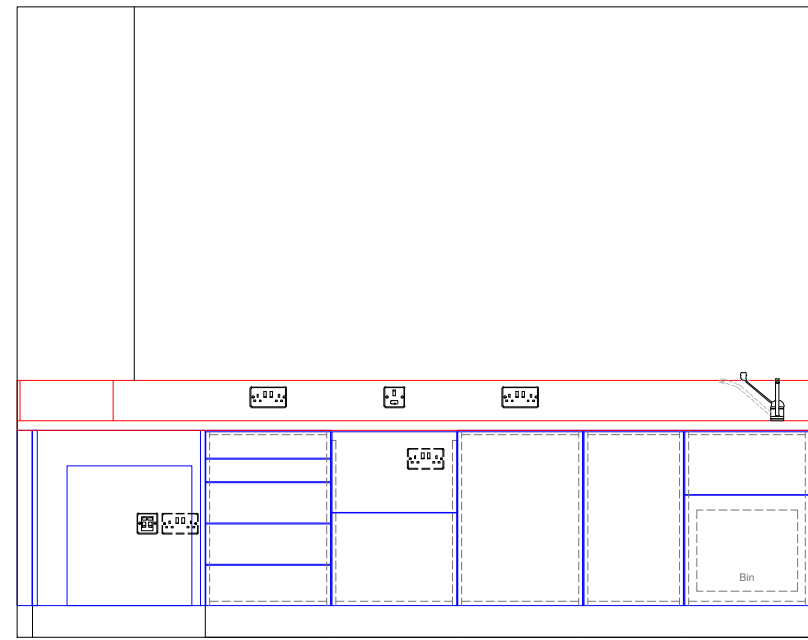
ALL DIMENSIONS ARE IN mm UNLESS OTHERWISE STATED

THIS DRAWING IS AN ANGLIAN DENTAL ENGINEERING A3 ORIGINAL

COPYRIGHT ANGLIAN DENTAL ENGINEERING ©2023



Cabinetry Section



IMPORTANT NOTES

WORK TO FIGURED DIMENSIONS ONLY.
CHECK DIMENSIONS ON SITE BEFORE COMMENCING WORK.

ANY DISCREPANCIES SHOULD BE REPORTED BACK TO OUR OFFICE.

X-RAY LOCATION / RPA

Any indications given in respect of radiation protection, the siting of x-ray equipment and / or x-ray controls is for guidance purposes only. It is for your appointed RPA to review the environment in which the x-ray machine is to operate and to ensure your compliance under IRR99. This drawing should not be used as the basis for any design, construction work or the provisioning of services involving x-ray equipment without the approval of your RPA.

THIS DESIGN SHOULD BE APPROVED BY YOUR INFECTION CONTROL ADVISOR PRIOR TO COMMENCEMENT OF WORKS.



Park Farm Lane, Nuthampstead
Herts SG8 8LZ

Tel: 01763 849990
Email: info@angliandental.co.uk

CLIENT: DR. RISHIN PATEL

LOCATION: 24 HIGH VIEW
HATFIELD, HERTS
AL10 8HZ

JOB: FIT-OUT

ROOM: SURGERY 5

JOB REF: 042859

DRAWING No: D40108

Rev

F

ARCH dwg: SP568-02C

DRAWING SCALE: 1:30

A3

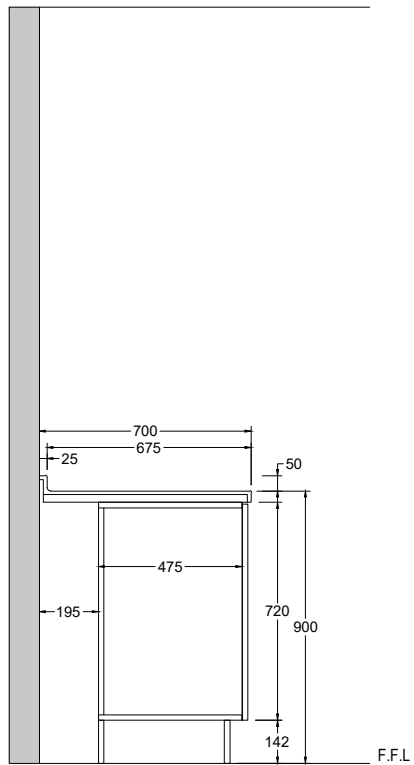
	NAME	DATE
DRAWN BY:	GH	16/03/2023
CHECKED BY:	*	*

DO NOT SCALE FROM THIS DRAWING.

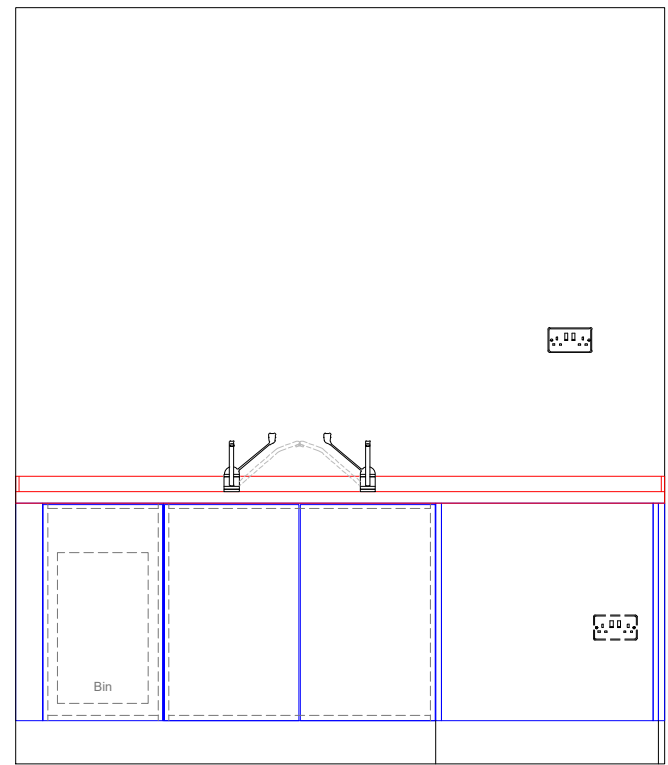
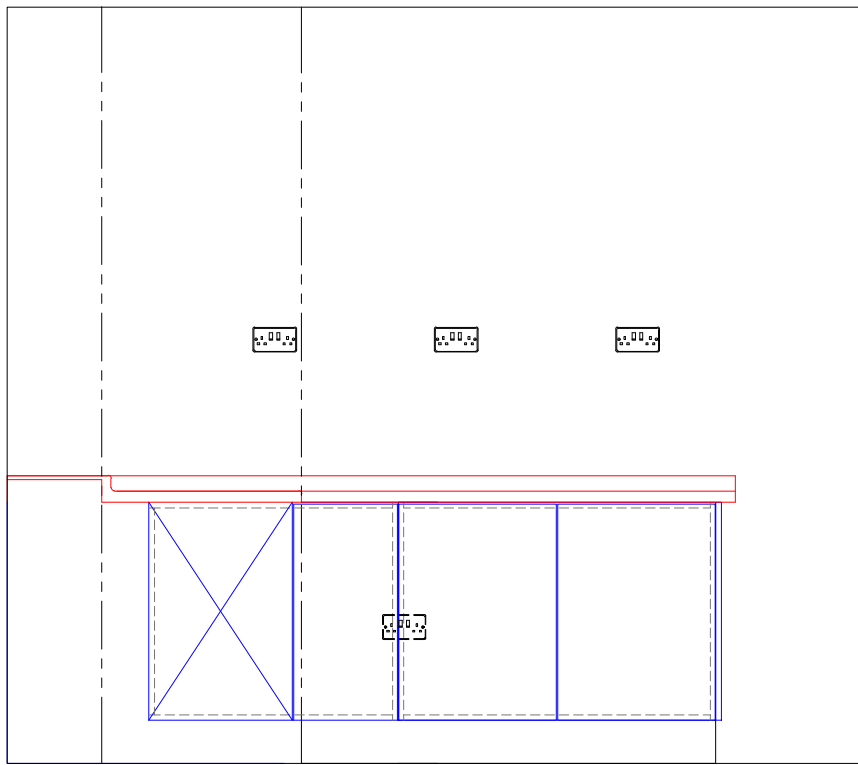
ALL DIMENSIONS ARE IN mm UNLESS OTHERWISE STATED

THIS DRAWING IS AN ANGLIAN DENTAL ENGINEERING A3 ORIGINAL

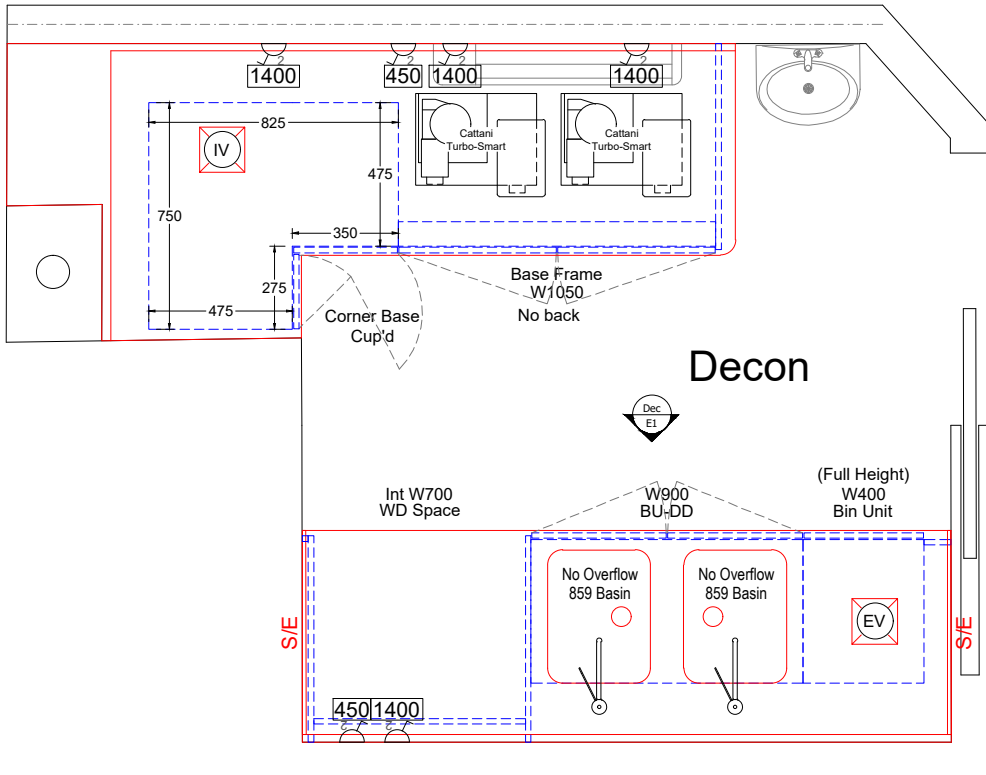
COPYRIGHT ANGLIAN DENTAL ENGINEERING ©2023



Cabinetry Section



CABINETRY ELEVATION DECON-E1



Decon

NOTE:
Handles are removed for clarity and will be fitted unless handle free has been quoted

IMPORTANT NOTES
WORK TO FIGURED DIMENSIONS ONLY.
CHECK DIMENSIONS ON SITE BEFORE COMMENCING WORK.
ANY DISCREPANCIES SHOULD BE REPORTED BACK TO OUR OFFICE.

X-RAY LOCATION / RPA
Any indications given in respect of radiation protection, the siting of x-ray equipment and / or x-ray controls is for guidance purposes only. It is for your appointed RPA to review the environment in which the x-ray machine is to operate and to ensure your compliance under IRR99. This drawing should not be used as the basis for any design, construction work or the provisioning of services involving x-ray equipment without the approval of your RPA.

THIS DESIGN SHOULD BE APPROVED BY YOUR INFECTION CONTROL ADVISOR PRIOR TO COMMENCEMENT OF WORKS.



Park Farm Lane, Nuthampstead
Herts SG8 8LZ

Tel: 01763 849990
Email: info@angliandental.co.uk

CLIENT: DR. RISHIN PATEL

LOCATION: 24 HIGH VIEW
HATFIELD, HERTS
AL10 8HZ

JOB: FIT-OUT

ROOM: DECON

JOB REF: 042859

DRAWING No: D40108	Rev
	F

ARCH dwg: SP568-02C

DRAWING SCALE: 1:30	A3
----------------------------	-----------

	NAME	DATE
DRAWN BY:	GH	16/03/2023
CHECKED BY:	*	*

DO NOT SCALE FROM THIS DRAWING.

ALL DIMENSIONS ARE IN mm UNLESS OTHERWISE STATED

THIS DRAWING IS AN ANGLIAN DENTAL ENGINEERING A3 ORIGINAL

COPYRIGHT ANGLIAN DENTAL ENGINEERING ©2023