

1 GROUND FLOOR PROPOSED PLAN
Scale: 1:50

IMPORTANT NOTES

WORK TO FIGURED DIMENSIONS ONLY.
CHECK DIMENSIONS ON SITE BEFORE COMMENCING WORK.
ANY DISCREPANCIES SHOULD BE REPORTED BACK TO OUR OFFICE.

X-RAY LOCATION / RPA

Any indications given in respect of radiation protection, the siting of x-ray equipment and / or x-ray controls is for guidance purposes only. It is for your appointed RPA to review the environment in which the x-ray machine is to operate and to ensure your compliance under IRR99. This drawing should not be used as the basis for any design, construction work or the provisioning of services involving x-ray equipment without the approval of your RPA.

THIS DESIGN SHOULD BE APPROVED BY YOUR INFECTION CONTROL ADVISOR PRIOR TO COMMENCEMENT OF WORKS.



Park Farm Lane, Nuthampstead
Herts SG8 8LZ

Tel: 01763 849990
Email: info@angliandental.co.uk

CLIENT: DR REZA FARIDRAD

JOB: FIT-OUT

TITLE: GROUND FLOOR GA PLAN

JOB REF: ----

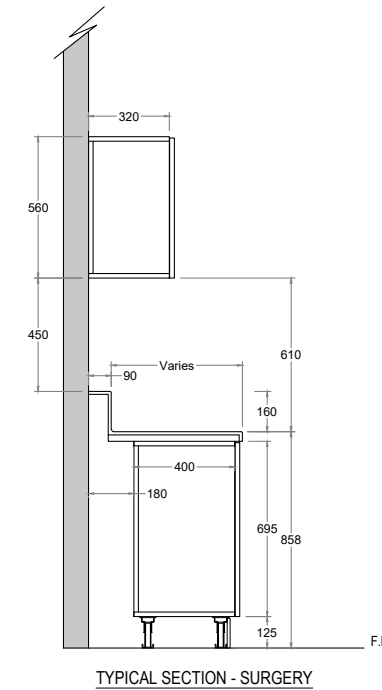
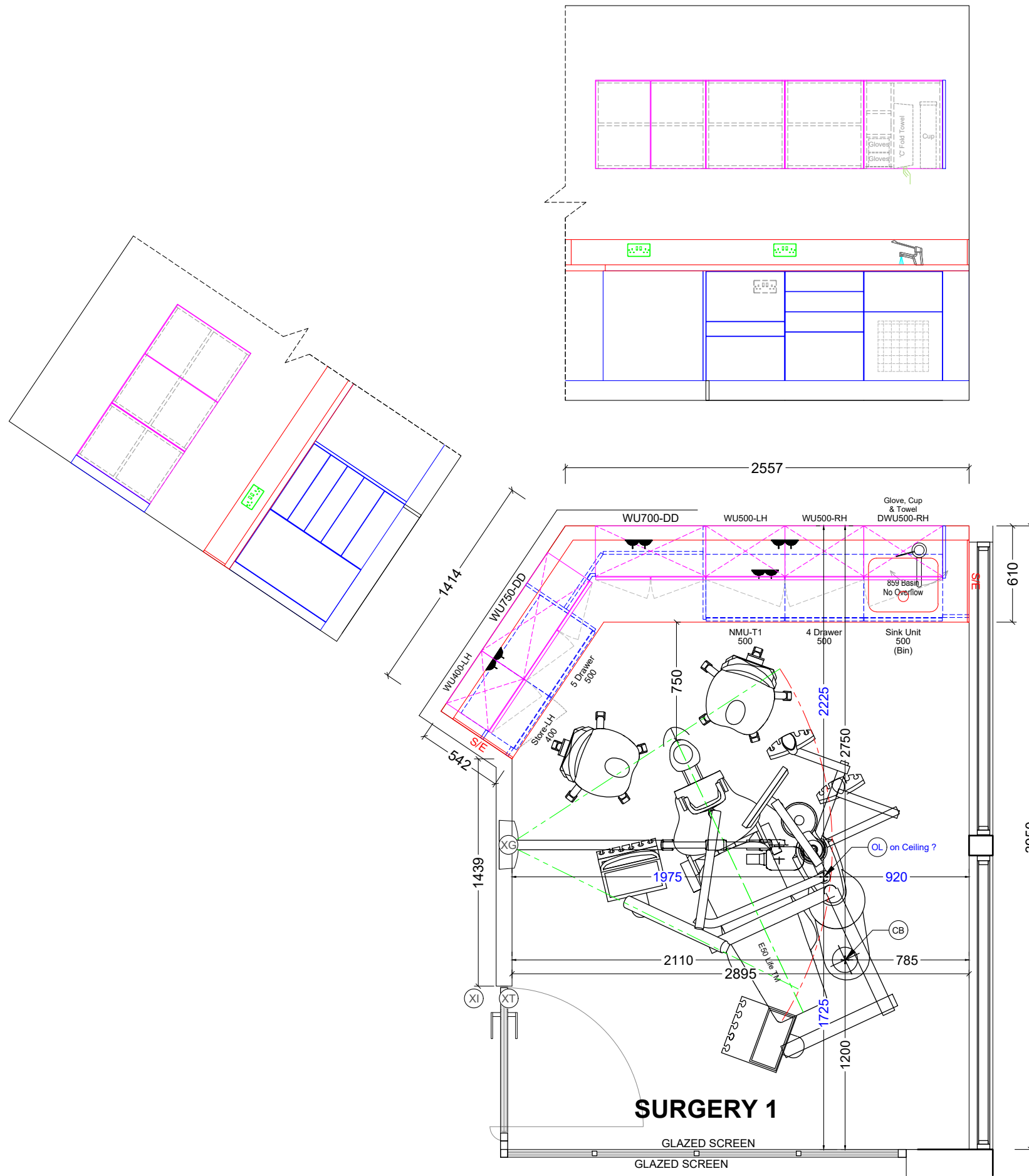
DRAWING No: D30924-GA	Rev
	G

Arch Ref: D101A GA	
DRAWING SCALE: 1:50	A3

	NAME	DATE
DRAWN BY:	GH	21/09/2021
CHECKED BY:	*	*

DO NOT SCALE FROM THIS DRAWING.

ALL DIMENSIONS ARE IN mm UNLESS OTHERWISE STATED
THIS DRAWING IS AN ANGLIAN DENTAL ENGINEERING A3 ORIGINAL
COPYRIGHT ANGLIAN DENTAL ENGINEERING ©2021



TYPICAL SECTION - SURGERY

IMPORTANT NOTES

WORK TO FIGURED DIMENSIONS ONLY.
CHECK DIMENSIONS ON SITE BEFORE COMMENCING WORK.
ANY DISCREPANCIES SHOULD BE REPORTED BACK TO OUR OFFICE.

X-RAY LOCATION / RPA

Any indications given in respect of radiation protection, the siting of x-ray equipment and / or x-ray controls is for guidance purposes only. It is for your appointed RPA to review the environment in which the x-ray machine is to operate and to ensure your compliance under IRR99. This drawing should not be used as the basis for any design, construction work or the provisioning of services involving x-ray equipment without the approval of your RPA.

THIS DESIGN SHOULD BE APPROVED BY YOUR INFECTION CONTROL ADVISOR PRIOR TO COMMENCEMENT OF WORKS.



Park Farm Lane, Nuthampstead
Herts SG8 8LZ

Tel: 01763 849990
Email: info@angliandental.co.uk

CLIENT: DR REZA FARIDRAD

JOB: FIT-OUT

ROOM: SURGERY 1

JOB REF: ----

DRAWING No: D30924-S1

Rev

G

Arch Ref: D101A GA

DRAWING SCALE: 1:30

A3

	NAME	DATE
DRAWN BY:	GH	21/09/2021
CHECKED BY:	*	*

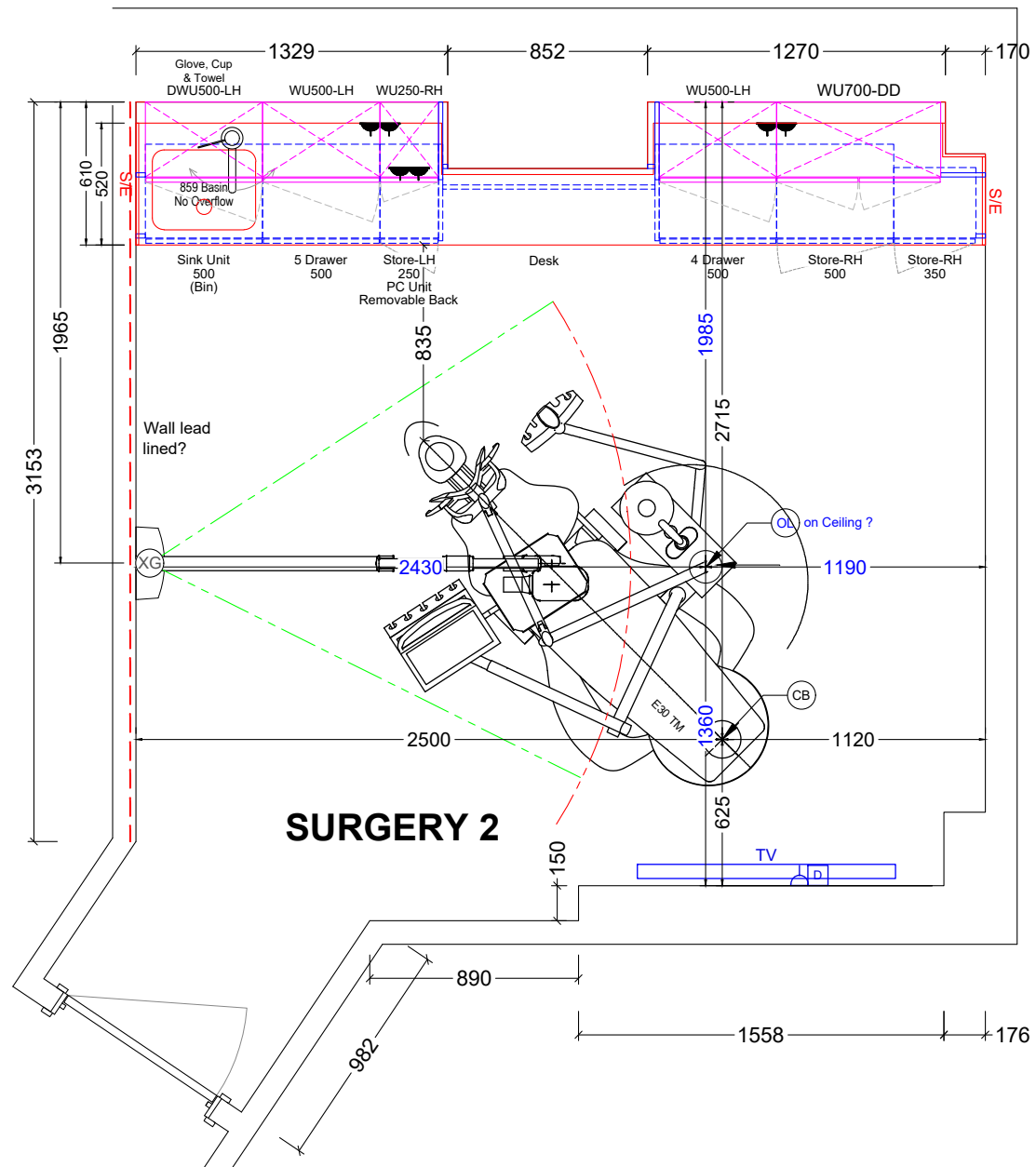
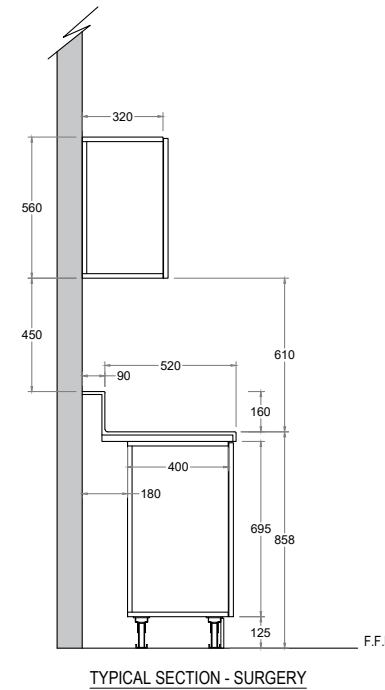
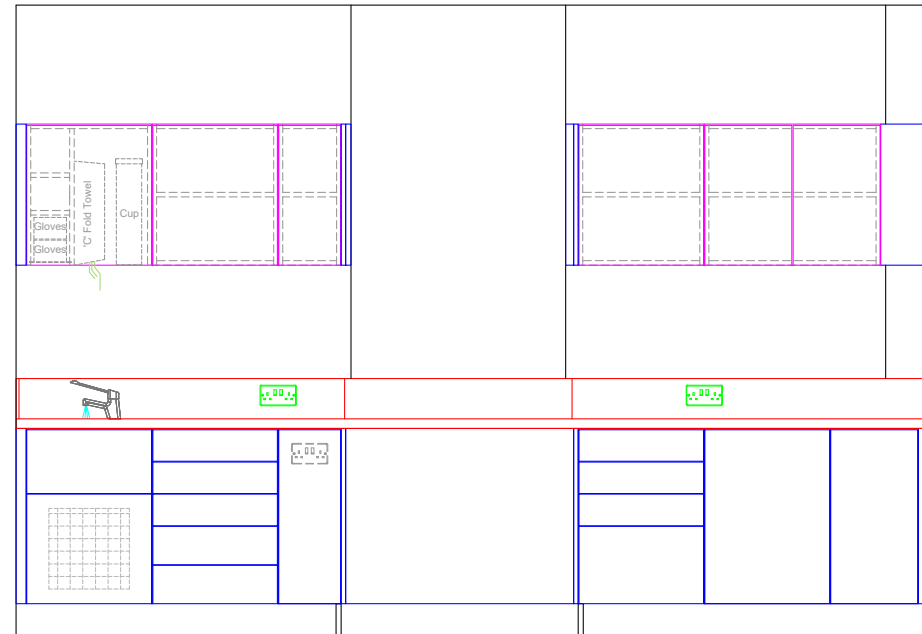
DO NOT SCALE FROM THIS DRAWING.

ALL DIMENSIONS ARE IN mm UNLESS OTHERWISE STATED

THIS DRAWING IS AN ANGLIAN DENTAL ENGINEERING A3 ORIGINAL

COPYRIGHT ANGLIAN DENTAL ENGINEERING ©2021

NOTE:
Handles are removed for clarity and will be fitted unless handle free has been quoted



NOTE:
Handles are removed for clarity and will be fitted unless handle free has been quoted

IMPORTANT NOTES

WORK TO FIGURED DIMENSIONS ONLY.
CHECK DIMENSIONS ON SITE BEFORE COMMENCING WORK.

ANY DISCREPANCIES SHOULD BE REPORTED BACK TO OUR OFFICE.

X-RAY LOCATION / RPA

Any indications given in respect of radiation protection, the siting of x-ray equipment and / or x-ray controls is for guidance purposes only. It is for your appointed RPA to review the environment in which the x-ray machine is to operate and to ensure your compliance under IRR99. This drawing should not be used as the basis for any design, construction work or the provisioning of services involving x-ray equipment without the approval of your RPA.

THIS DESIGN SHOULD BE APPROVED BY YOUR INFECTION CONTROL ADVISOR PRIOR TO COMMENCEMENT OF WORKS.



Park Farm Lane, Nuthampstead
Herts SG8 8LZ

Tel: 01763 849990
Email: info@angliandental.co.uk

CLIENT: DR REZA FARIDRAD

JOB: FIT-OUT

ROOM: SURGERY 2

JOB REF: ----

DRAWING No: D30924-S2

Rev

G

Arch Ref: D101A GA

DRAWING SCALE: 1:30

A3

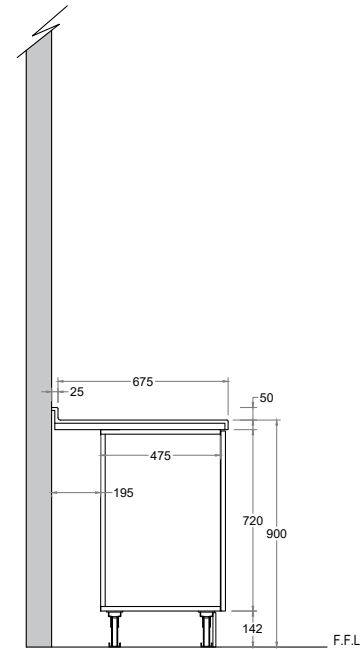
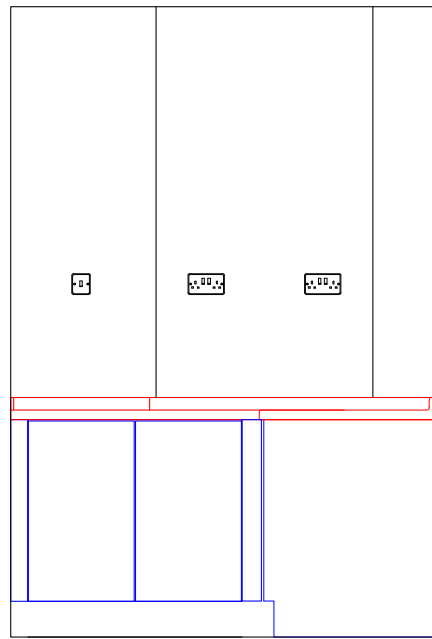
	NAME	DATE
DRAWN BY:	GH	21/09/2021
CHECKED BY:	*	*

DO NOT SCALE FROM THIS DRAWING.

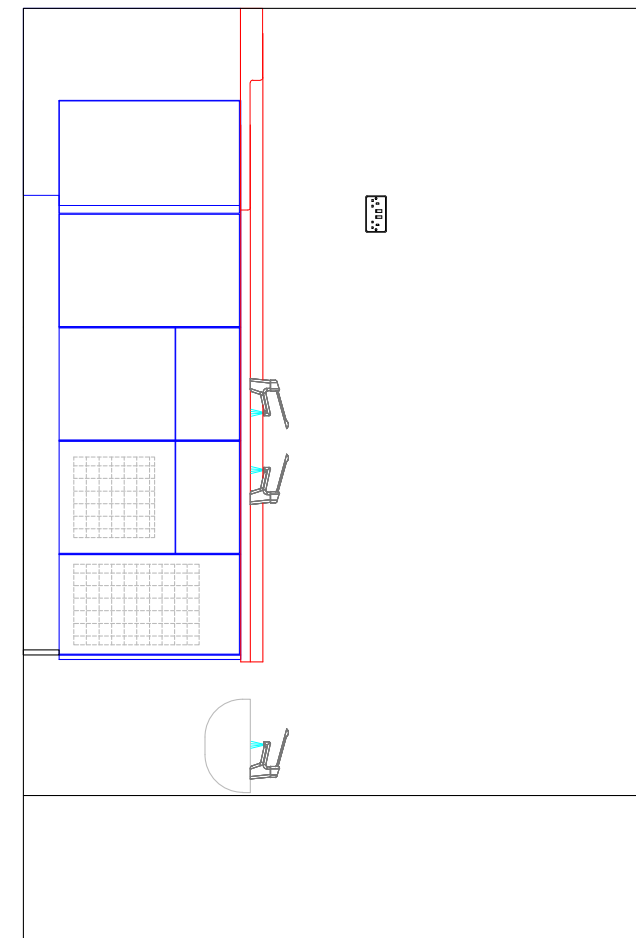
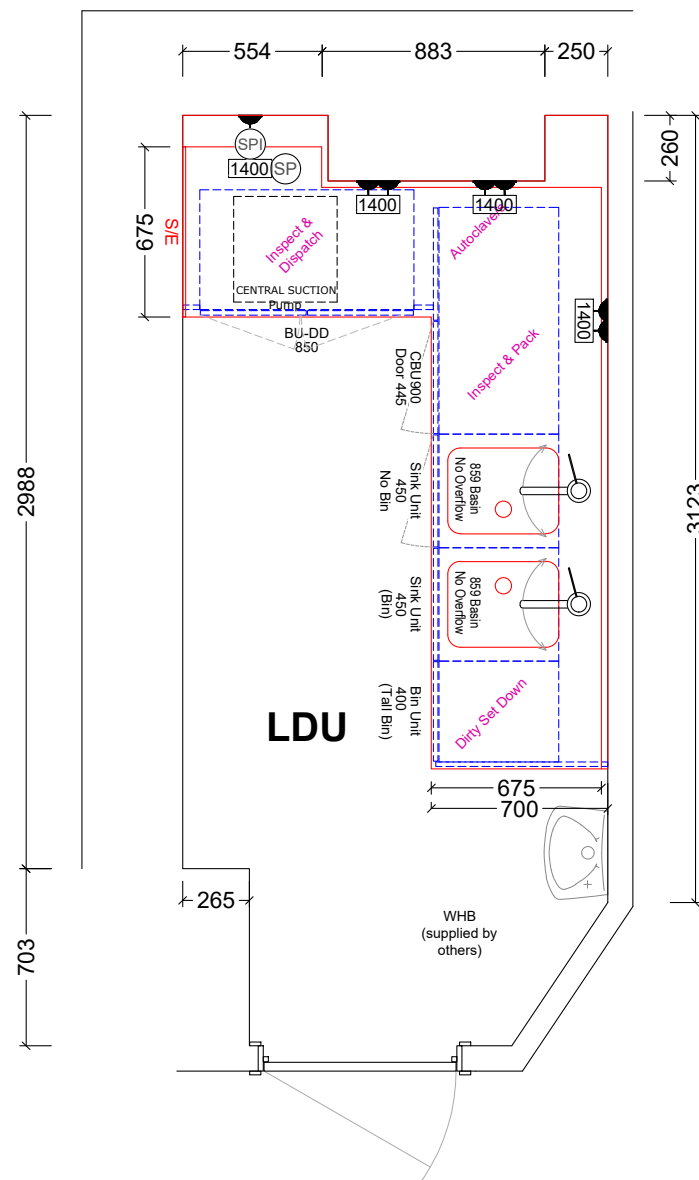
ALL DIMENSIONS ARE IN mm UNLESS OTHERWISE STATED

THIS DRAWING IS AN ANGLIAN DENTAL ENGINEERING A3 ORIGINAL

COPYRIGHT ANGLIAN DENTAL ENGINEERING ©2021



TYPICAL SECTION - LDU



IMPORTANT NOTES

WORK TO FIGURED DIMENSIONS ONLY.
CHECK DIMENSIONS ON SITE BEFORE COMMENCING WORK.

ANY DISCREPANCIES SHOULD BE REPORTED BACK TO OUR OFFICE.

X-RAY LOCATION / RPA

Any indications given in respect of radiation protection, the siting of x-ray equipment and / or x-ray controls is for guidance purposes only. It is for your appointed RPA to review the environment in which the x-ray machine is to operate and to ensure your compliance under IRR99. This drawing should not be used as the basis for any design, construction work or the provisioning of services involving x-ray equipment without the approval of your RPA.

THIS DESIGN SHOULD BE APPROVED BY YOUR INFECTION CONTROL ADVISOR PRIOR TO COMMENCEMENT OF WORKS.



Park Farm Lane, Nuthampstead
Herts SG8 8LZ

Tel: 01763 849990
Email: info@angliandental.co.uk

CLIENT: DR REZA FARIDRAD

JOB: FIT-OUT

ROOM: LDU

JOB REF: ----

DRAWING No: D30924-LDU

Rev

G

Arch Ref: D101A GA

DRAWING SCALE: 1:30

A3

	NAME	DATE
DRAWN BY:	GH	21/09/2021
CHECKED BY:	*	*

DO NOT SCALE FROM THIS DRAWING.

ALL DIMENSIONS ARE IN mm UNLESS OTHERWISE STATED

THIS DRAWING IS AN ANGLIAN DENTAL ENGINEERING A3 ORIGINAL

COPYRIGHT ANGLIAN DENTAL ENGINEERING ©2021

NOTE:
Handles are removed for clarity and will be fitted unless handle free has been quoted

IMPORTANT NOTES
 WORK TO FIGURED DIMENSIONS ONLY.
 CHECK DIMENSIONS ON SITE BEFORE COMMENCING WORK.
ANY DISCREPANCIES SHOULD BE REPORTED BACK TO OUR OFFICE.

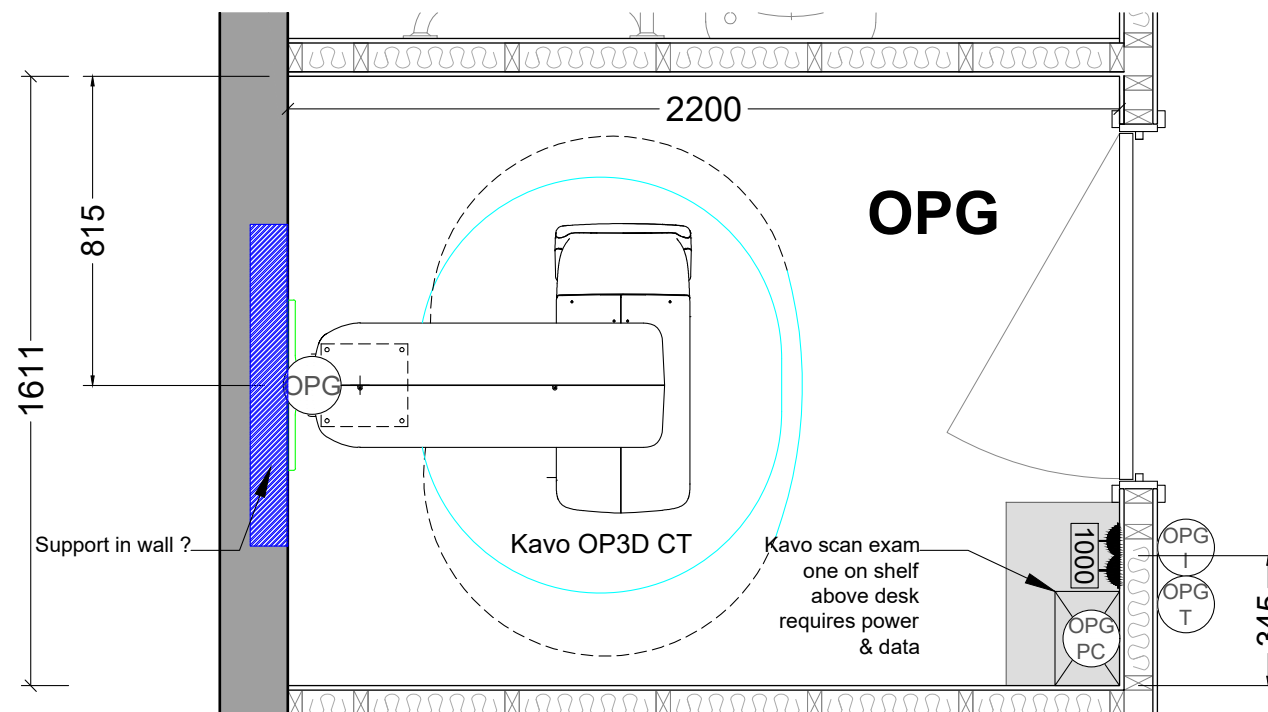
X-RAY LOCATION / RPA
 Any indications given in respect of radiation protection, the siting of x-ray equipment and / or x-ray controls is for guidance purposes only.
 It is for your appointed RPA to review the environment in which the x-ray machine is to operate and to ensure your compliance under IRR99. This drawing should not be used as the basis for any design, construction work or the provisioning of services involving x-ray equipment without the approval of your RPA.

THIS DESIGN SHOULD BE APPROVED BY YOUR INFECTION CONTROL ADVISOR PRIOR TO COMMENCEMENT OF WORKS.



Park Farm Lane, Nuthampstead
 Herts SG8 8LZ

Tel: 01763 849990
 Email: info@angliandental.co.uk



NOTE:
 Handles are removed for clarity and will be fitted unless handle free has been quoted

CLIENT: DR REZA FARIDRAD

JOB: FIT-OUT

ROOM: LDU

JOB REF: ----

DRAWING No:	Rev
D30924-OPG	G

Arch Ref: D101A GA

DRAWING SCALE:		
1:20		A3

	NAME	DATE
DRAWN BY:	GH	21/09/2021
CHECKED BY:	*	*

DO NOT SCALE FROM THIS DRAWING.

ALL DIMENSIONS ARE IN mm UNLESS OTHERWISE STATED

THIS DRAWING IS AN ANGLIAN DENTAL ENGINEERING A3 ORIGINAL

COPYRIGHT ANGLIAN DENTAL ENGINEERING ©2021