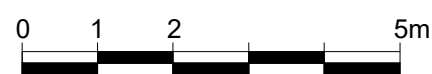


Proposed Ground Floor Plan



Scale 1:100

IMPORTANT NOTES

WORK TO FIGURED DIMENSIONS ONLY.
CHECK DIMENSIONS ON SITE BEFORE COMMENCING WORK.

ANY DISCREPANCIES SHOULD BE REPORTED BACK TO OUR OFFICE.

X-RAY LOCATION / RPA

Any indications given in respect of radiation protection, the siting of x-ray equipment and / or x-ray controls is for guidance purposes only. It is for your appointed RPA to review the environment in which the x-ray machine is to operate and to ensure your compliance under IRR99. This drawing should not be used as the basis for any design, construction work or the provisioning of services involving x-ray equipment without the approval of your RPA.

THIS DESIGN SHOULD BE APPROVED BY YOUR INFECTION CONTROL ADVISOR PRIOR TO COMMENCEMENT OF WORKS.



Park Farm Lane, Nuthampstead
Herts SG8 8LZ

Tel: 01763 849990

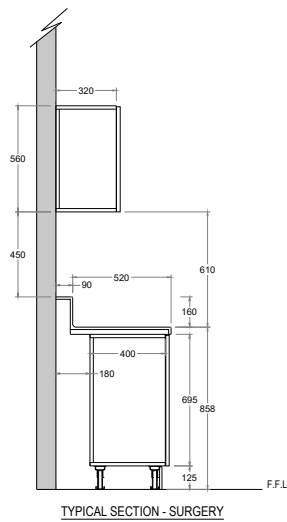
Email: info@angliandental.co.uk

CLIENT:	DR S OLDHAM
LOCATION:	HERTFORD DENTAL PRACTICE 4-8 MAIDENHEAD STREET, HERTFORD SG14 1DR
JOB:	DENTAL ROOM FIT-OUT
TITLE:	GROUND FLOOR GENERAL ARRANGEMENT
JOB REF:	036296

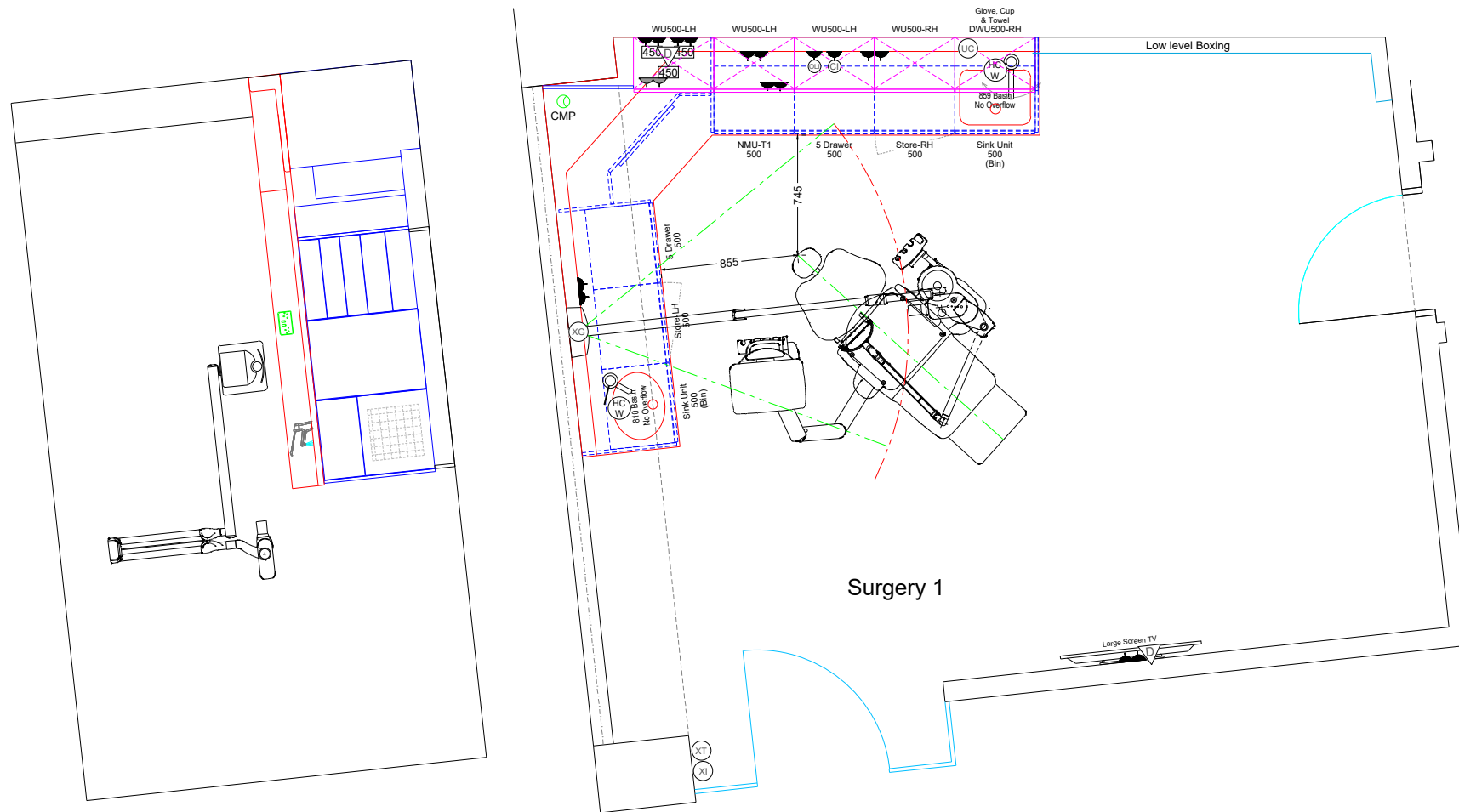
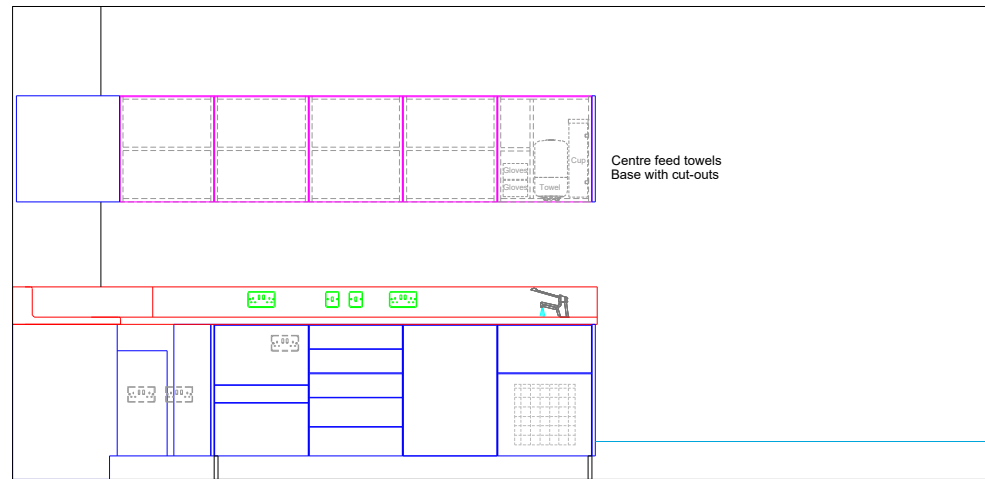
DRAWING No:	D30959	Rev	F
Arch Ref:	sp538-02d & sp538-03e		
DRAWING SCALE:	1:100	A3	

	NAME	DATE
DRAWN BY:	GH	21/04/2022
CHECKED BY:	*	*

ALL DIMENSIONS ARE IN mm UNLESS OTHERWISE STATED
THIS DRAWING IS AN ANGLIAN DENTAL ENGINEERING A3 ORIGINAL
COPYRIGHT ANGLIAN DENTAL ENGINEERING ©2020



TYPICAL SECTION - SURGERY



NOTE:
Handles are removed for clarity and will be fitted unless handle free has been quoted

IMPORTANT NOTES

WORK TO FIGURED DIMENSIONS ONLY.
CHECK DIMENSIONS ON SITE BEFORE COMMENCING WORK.
ANY DISCREPANCIES SHOULD BE REPORTED BACK TO OUR OFFICE.

X-RAY LOCATION / RPA

Any indications given in respect of radiation protection, the siting of x-ray equipment and / or x-ray controls is for guidance purposes only. It is for your appointed RPA to review the environment in which the x-ray machine is to operate and to ensure your compliance under IRR99. This drawing should not be used as the basis for any design, construction work or the provisioning of services involving x-ray equipment without the approval of your RPA.

THIS DESIGN SHOULD BE APPROVED BY YOUR INFECTION CONTROL ADVISOR PRIOR TO COMMENCEMENT OF WORKS.



Park Farm Lane, Nuthampstead
Herts SG8 8LZ

Tel: 01763 849990
Email: info@angliandental.co.uk

CLIENT: DR S OLDHAM

LOCATION: HERTFORD DENTAL PRACTICE
4-8 MAIDENHEAD STREET,
HERTFORD
SG14 1DR

JOB: DENTAL ROOM FIT-OUT

ROOM: SURGERY 1

JOB REF: 036296

DRAWING No: D30959	Rev F
--------------------	-----------------

DRAWING SCALE: 1:40	A3
---------------------	-----------

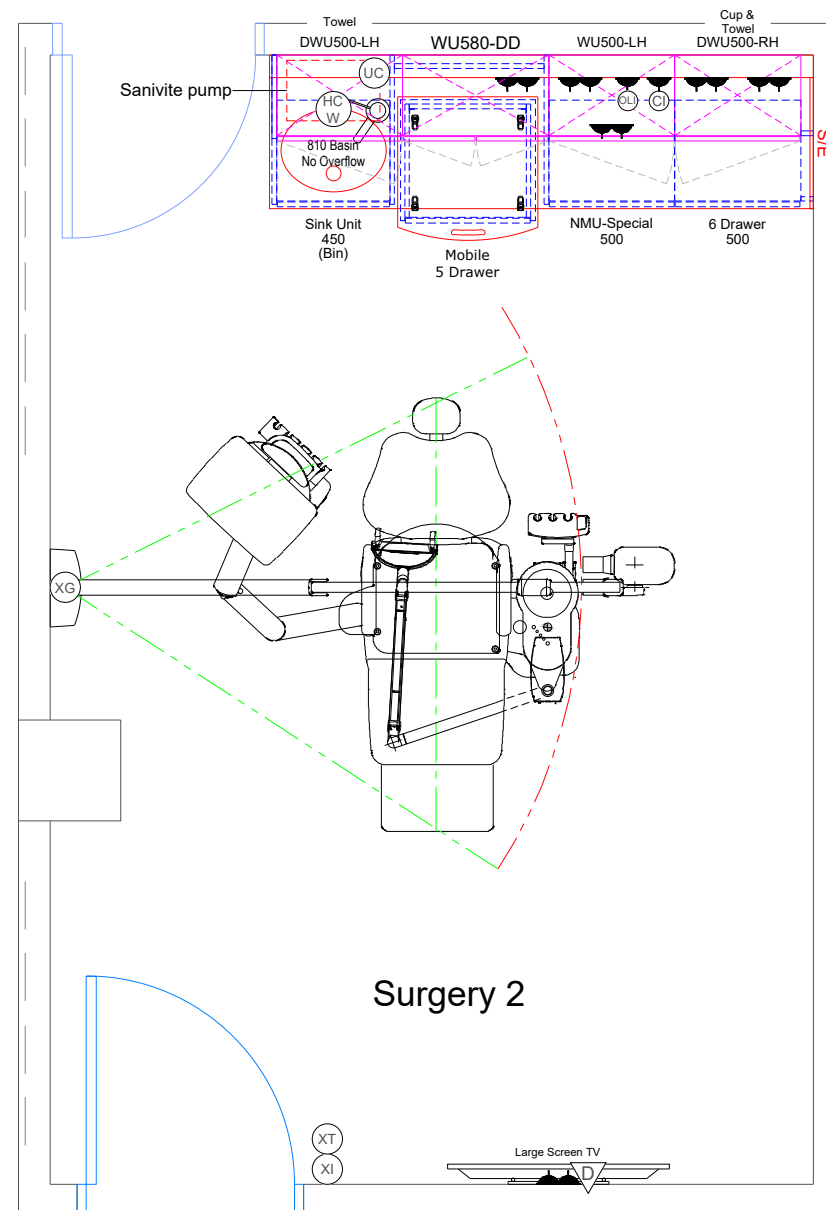
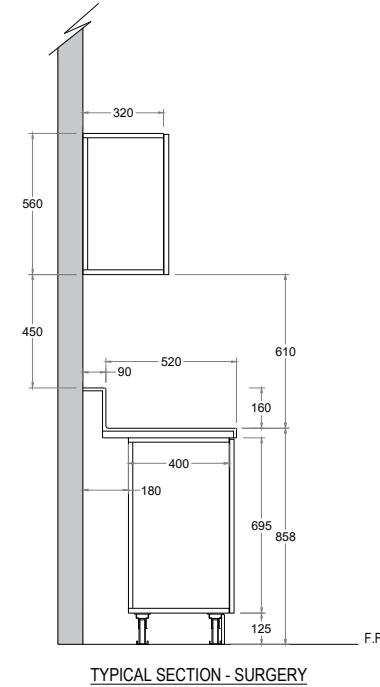
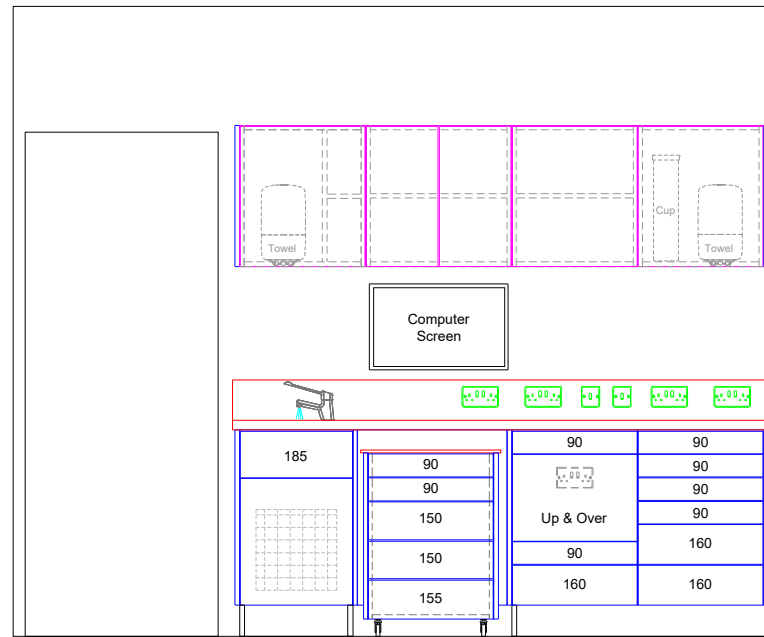
	NAME	DATE
DRAWN BY:	GH	21/04/2022
CHECKED BY:	*	*

DO NOT SCALE FROM THIS DRAWING.

ALL DIMENSIONS ARE IN mm UNLESS OTHERWISE STATED

THIS DRAWING IS AN ANGLIAN DENTAL ENGINEERING
A3 ORIGINAL

COPYRIGHT ANGLIAN DENTAL ENGINEERING ©2022



NOTE:
Handles are removed for clarity and will be fitted unless handle free has been quoted

IMPORTANT NOTES
WORK TO FIGURED DIMENSIONS ONLY.
CHECK DIMENSIONS ON SITE BEFORE COMMENCING WORK.
ANY DISCREPANCIES SHOULD BE REPORTED BACK TO OUR OFFICE.

X-RAY LOCATION / RPA
Any indications given in respect of radiation protection, the siting of x-ray equipment and / or x-ray controls is for guidance purposes only. It is for your appointed RPA to review the environment in which the x-ray machine is to operate and to ensure your compliance under IRR99. This drawing should not be used as the basis for any design, construction work or the provisioning of services involving x-ray equipment without the approval of your RPA.

THIS DESIGN SHOULD BE APPROVED BY YOUR INFECTION CONTROL ADVISOR PRIOR TO COMMENCEMENT OF WORKS.



Park Farm Lane, Nuthampstead
Herts SG8 8LZ

Tel: 01763 849990
Email: info@angliandental.co.uk

CLIENT: DR S OLDHAM

LOCATION: HERTFORD DENTAL PRACTICE
4-8 MAIDENHEAD STREET,
HERTFORD
SG14 1DR

JOB: DENTAL ROOM FIT-OUT

ROOM: SURGERY 2

JOB REF: 036296

DRAWING No: D30959	Rev F
---------------------------	-----------------

DRAWING SCALE: 1:30	A3
----------------------------	-----------

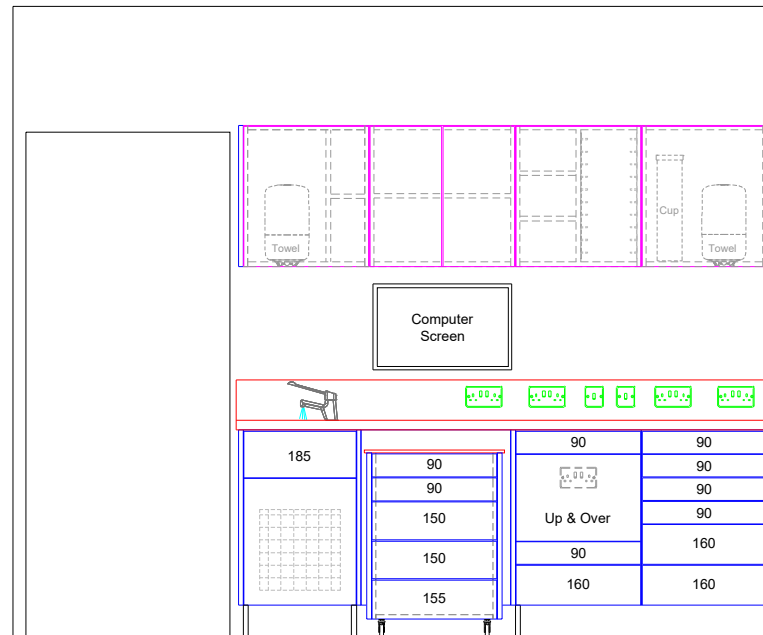
	NAME	DATE
DRAWN BY:	GH	21/04/2022
CHECKED BY:	*	*

DO NOT SCALE FROM THIS DRAWING.

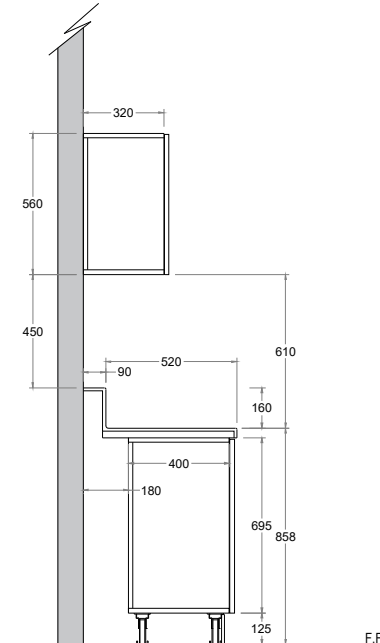
ALL DIMENSIONS ARE IN mm UNLESS OTHERWISE STATED

THIS DRAWING IS AN ANGLIAN DENTAL ENGINEERING A3 ORIGINAL

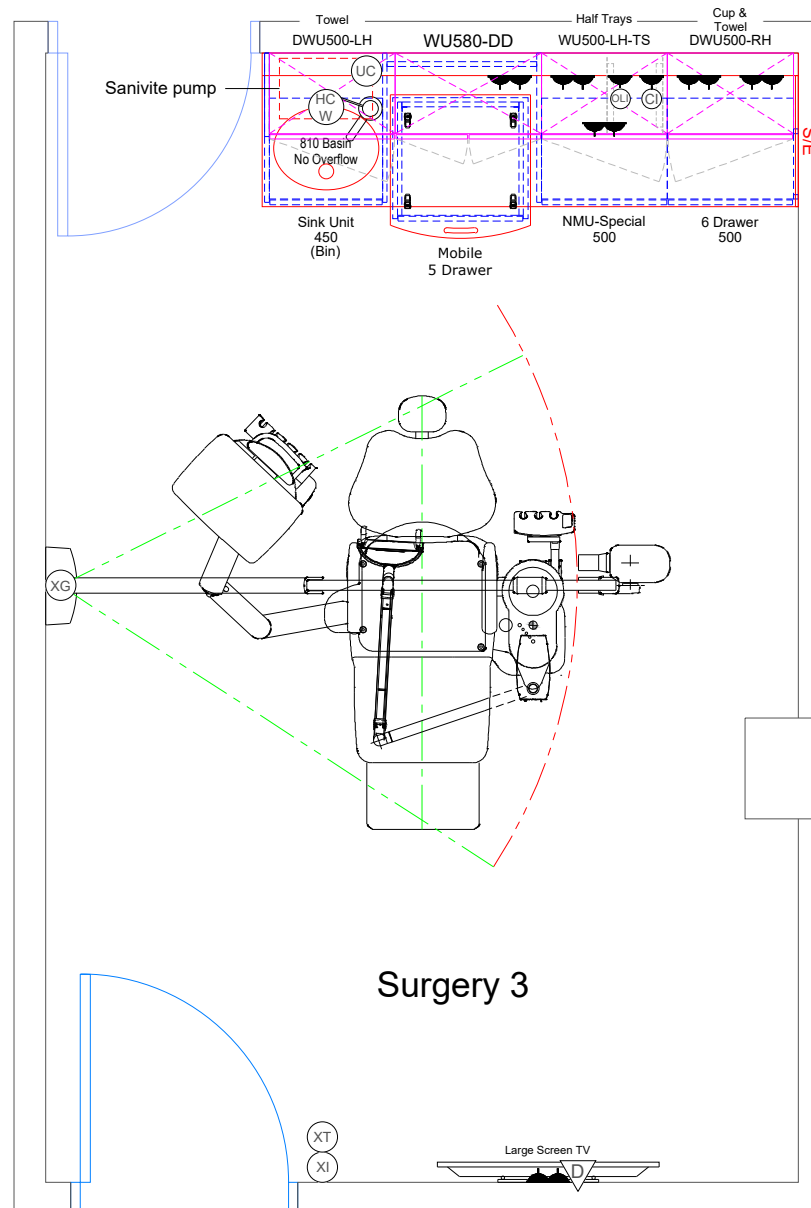
COPYRIGHT ANGLIAN DENTAL ENGINEERING ©2022



Centre feed towels
Base with cut-outs



TYPICAL SECTION - SURGERY



NOTE:
Handles are removed for clarity and will be fitted unless handle free has been quoted

IMPORTANT NOTES
WORK TO FIGURED DIMENSIONS ONLY.
CHECK DIMENSIONS ON SITE BEFORE COMMENCING WORK.
ANY DISCREPANCIES SHOULD BE REPORTED BACK TO OUR OFFICE.

X-RAY LOCATION / RPA
Any indications given in respect of radiation protection, the siting of x-ray equipment and / or x-ray controls is for guidance purposes only. It is for your appointed RPA to review the environment in which the x-ray machine is to operate and to ensure your compliance under IRR99. This drawing should not be used as the basis for any design, construction work or the provisioning of services involving x-ray equipment without the approval of your RPA.

THIS DESIGN SHOULD BE APPROVED BY YOUR INFECTION CONTROL ADVISOR PRIOR TO COMMENCEMENT OF WORKS.



Park Farm Lane, Nuthampstead
Herts SG8 8LZ

Tel: 01763 849990
Email: info@angliandental.co.uk

CLIENT: DR S OLDHAM

LOCATION: HERTFORD DENTAL PRACTICE
4-8 MAIDENHEAD STREET,
HERTFORD
SG14 1DR

JOB: DENTAL ROOM FIT-OUT

ROOM: SURGERY 3

JOB REF: 036296

DRAWING No: D30959	Rev
	F

DRAWING SCALE: 1:30	A3
----------------------------	-----------

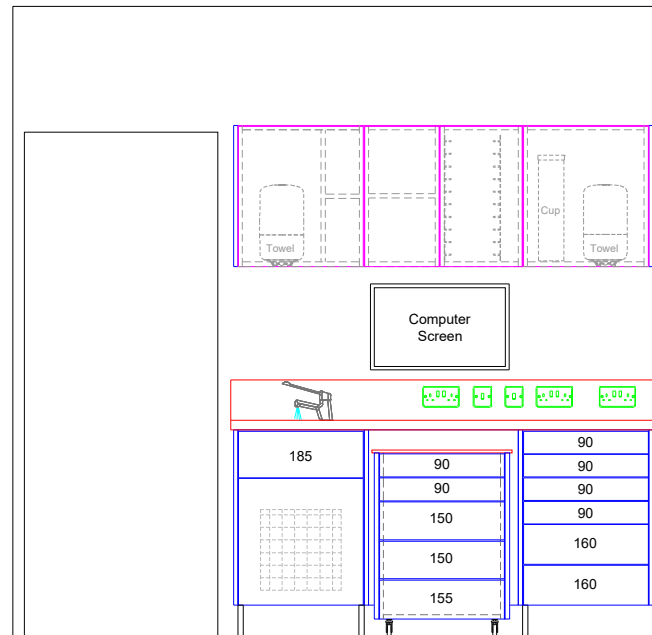
	NAME	DATE
DRAWN BY:	GH	21/04/2022
CHECKED BY:	*	*

DO NOT SCALE FROM THIS DRAWING.

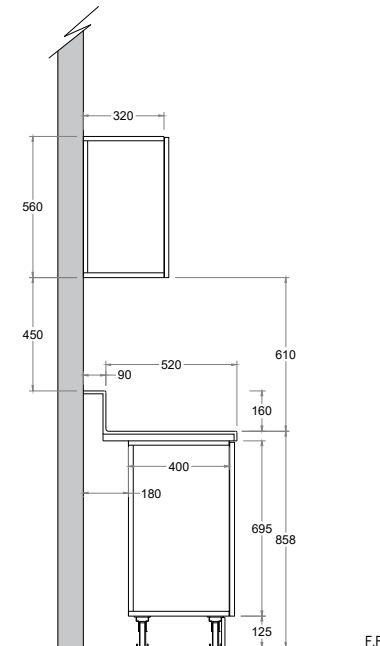
ALL DIMENSIONS ARE IN mm UNLESS OTHERWISE STATED

THIS DRAWING IS AN ANGLIAN DENTAL ENGINEERING A3 ORIGINAL

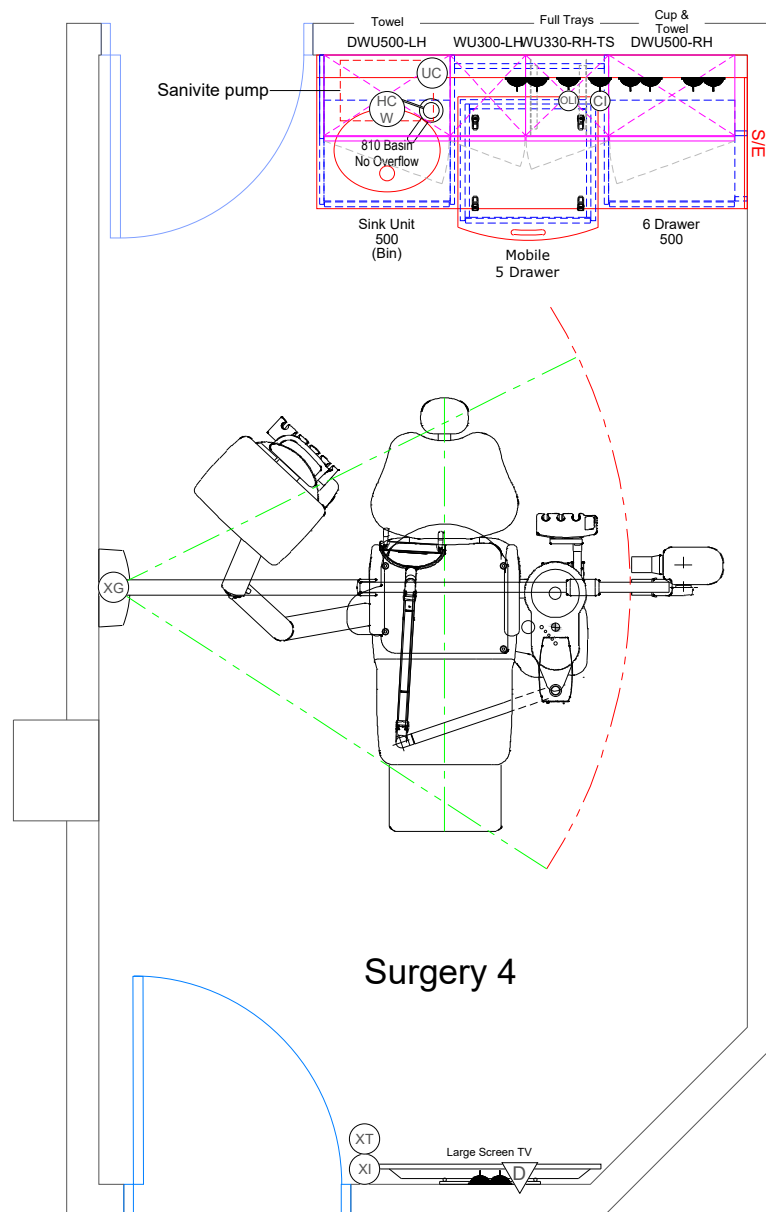
COPYRIGHT ANGLIAN DENTAL ENGINEERING ©2022



Centre feed towels Base with cut-outs



TYPICAL SECTION - SURGERY



Surgery 4

NOTE:
Handles are removed for clarity and will be fitted unless handle free has been quoted

IMPORTANT NOTES
WORK TO FIGURED DIMENSIONS ONLY.
CHECK DIMENSIONS ON SITE BEFORE COMMENCING WORK.
ANY DISCREPANCIES SHOULD BE REPORTED BACK TO OUR OFFICE.

X-RAY LOCATION / RPA
Any indications given in respect of radiation protection, the siting of x-ray equipment and / or x-ray controls is for guidance purposes only. It is for your appointed RPA to review the environment in which the x-ray machine is to operate and to ensure your compliance under IRR99. This drawing should not be used as the basis for any design, construction work or the provisioning of services involving x-ray equipment without the approval of your RPA.

THIS DESIGN SHOULD BE APPROVED BY YOUR INFECTION CONTROL ADVISOR PRIOR TO COMMENCEMENT OF WORKS.



Park Farm Lane, Nuthampstead
Herts SG8 8LZ

Tel: 01763 849990
Email: info@angliandental.co.uk

CLIENT: DR S OLDHAM

LOCATION: HERTFORD DENTAL PRACTICE
4-8 MAIDENHEAD STREET,
HERTFORD
SG14 1DR

JOB: DENTAL ROOM FIT-OUT

ROOM: SURGERY 4

JOB REF: 036296

DRAWING No: D30959	Rev
	F

DRAWING SCALE: 1:30	A3
---------------------	----

	NAME	DATE
DRAWN BY:	GH	21/04/2022
CHECKED BY:	*	*

DO NOT SCALE FROM THIS DRAWING.

ALL DIMENSIONS ARE IN mm UNLESS OTHERWISE STATED

THIS DRAWING IS AN ANGLIAN DENTAL ENGINEERING A3 ORIGINAL

COPYRIGHT ANGLIAN DENTAL ENGINEERING ©2022

IMPORTANT NOTES
 WORK TO FIGURED DIMENSIONS ONLY.
 CHECK DIMENSIONS ON SITE BEFORE COMMENCING WORK.
ANY DISCREPANCIES SHOULD BE REPORTED BACK TO OUR OFFICE.

X-RAY LOCATION / RPA

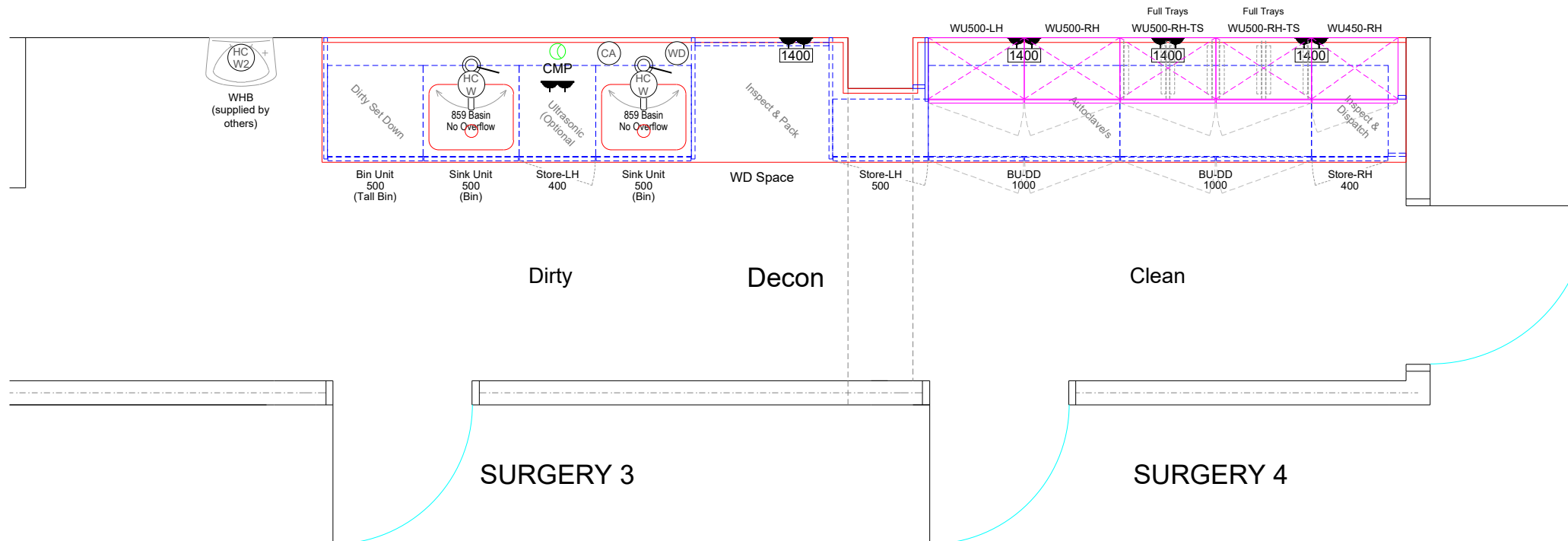
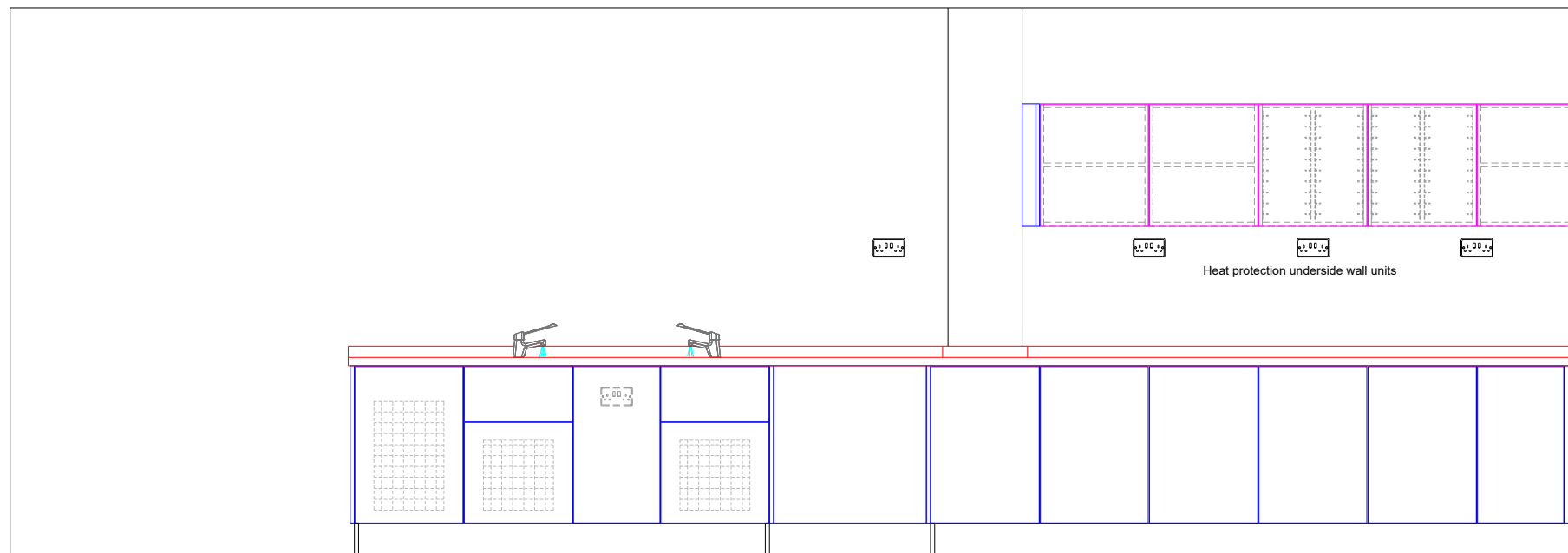
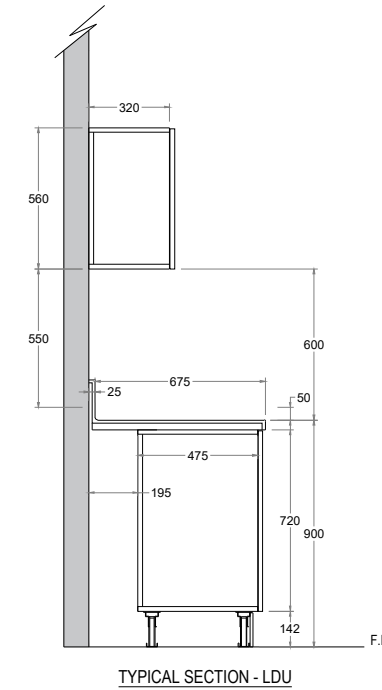
Any indications given in respect of radiation protection, the siting of x-ray equipment and / or x-ray controls is for guidance purposes only. It is for your appointed RPA to review the environment in which the x-ray machine is to operate and to ensure your compliance under IRR99. This drawing should not be used as the basis for any design, construction work or the provisioning of services involving x-ray equipment without the approval of your RPA.

THIS DESIGN SHOULD BE APPROVED BY YOUR INFECTION CONTROL ADVISOR PRIOR TO COMMENCEMENT OF WORKS.



Park Farm Lane, Nuthampstead
 Herts SG8 8LZ

Tel: 01763 849990
 Email: info@angliandental.co.uk



NOTE:
 Handles are removed for clarity and will be fitted unless handle free has been quoted

CLIENT:	DR S OLDHAM
LOCATION:	HERTFORD DENTAL PRACTICE 4-8 MAIDENHEAD STREET, HERTFORD SG14 1DR
JOB:	DENTAL ROOM FIT-OUT
ROOM:	DECON ROOM
JOB REF:	036296
DRAWING No:	D30959
DRAWING SCALE:	1:30
Rev	F
DRAWING SCALE:	A3

	NAME	DATE
DRAWN BY:	GH	21/04/2022
CHECKED BY:	*	*

DO NOT SCALE FROM THIS DRAWING.
 ALL DIMENSIONS ARE IN mm UNLESS OTHERWISE STATED
 THIS DRAWING IS AN ANGLIAN DENTAL ENGINEERING A3 ORIGINAL
 COPYRIGHT ANGLIAN DENTAL ENGINEERING ©2022