

Proposed Ground Floor Plan



IMPORTANT NOTES

WORK TO FIGURED DIMENSIONS ONLY.
CHECK DIMENSIONS ON SITE BEFORE COMMENCING WORK.

ANY DISCREPANCIES SHOULD BE REPORTED BACK TO OUR OFFICE.

X-RAY LOCATION / RPA

Any indications given in respect of radiation protection, the siting of x-ray equipment and / or x-ray controls is for guidance purposes only. It is for your appointed RPA to review the environment in which the x-ray machine is to operate and to ensure your compliance under IRR99. This drawing should not be used as the basis for any design, construction work or the provisioning of services involving x-ray equipment without the approval of your RPA.

THIS DESIGN SHOULD BE APPROVED BY YOUR INFECTION CONTROL ADVISOR PRIOR TO COMMENCEMENT OF WORKS.



Park Farm Lane, Nuthampstead
Herts SG8 8LZ

Tel: 01763 849990
Email: info@angliandental.co.uk

CLIENT: TOHEED NASIR

LOCATION: UNIT 4 CUTBUSH COURT
DANEHILL, READING
RG6 4UW

TITLE: PROPOSED DENTAL SURGERY
LAYOUT
GROUND FLOOR PLAN

JOB REF: ----

DRAWING No: D30834-A101-100	Rev
	E

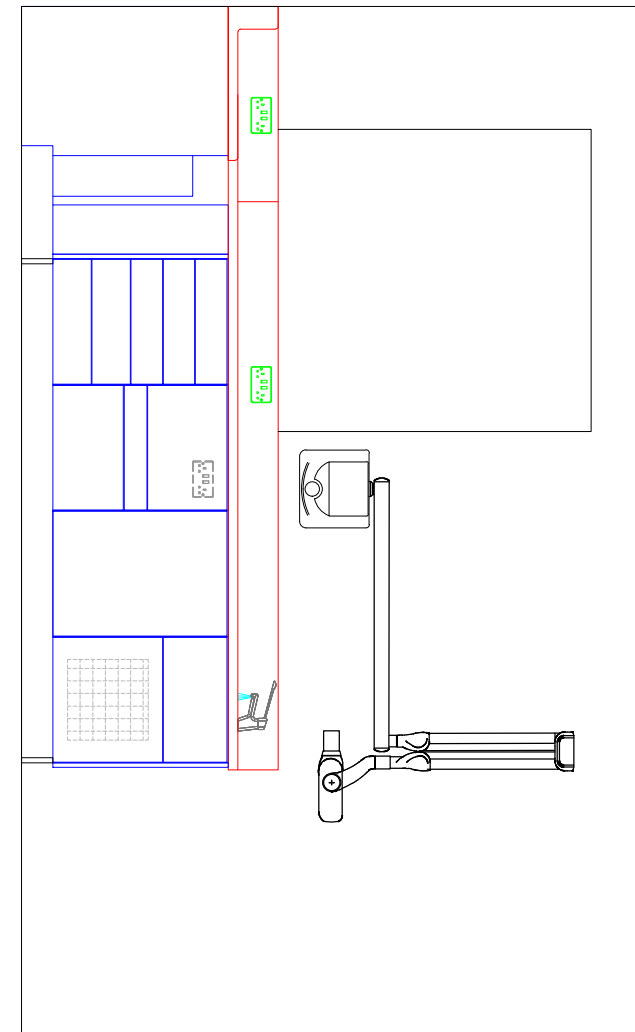
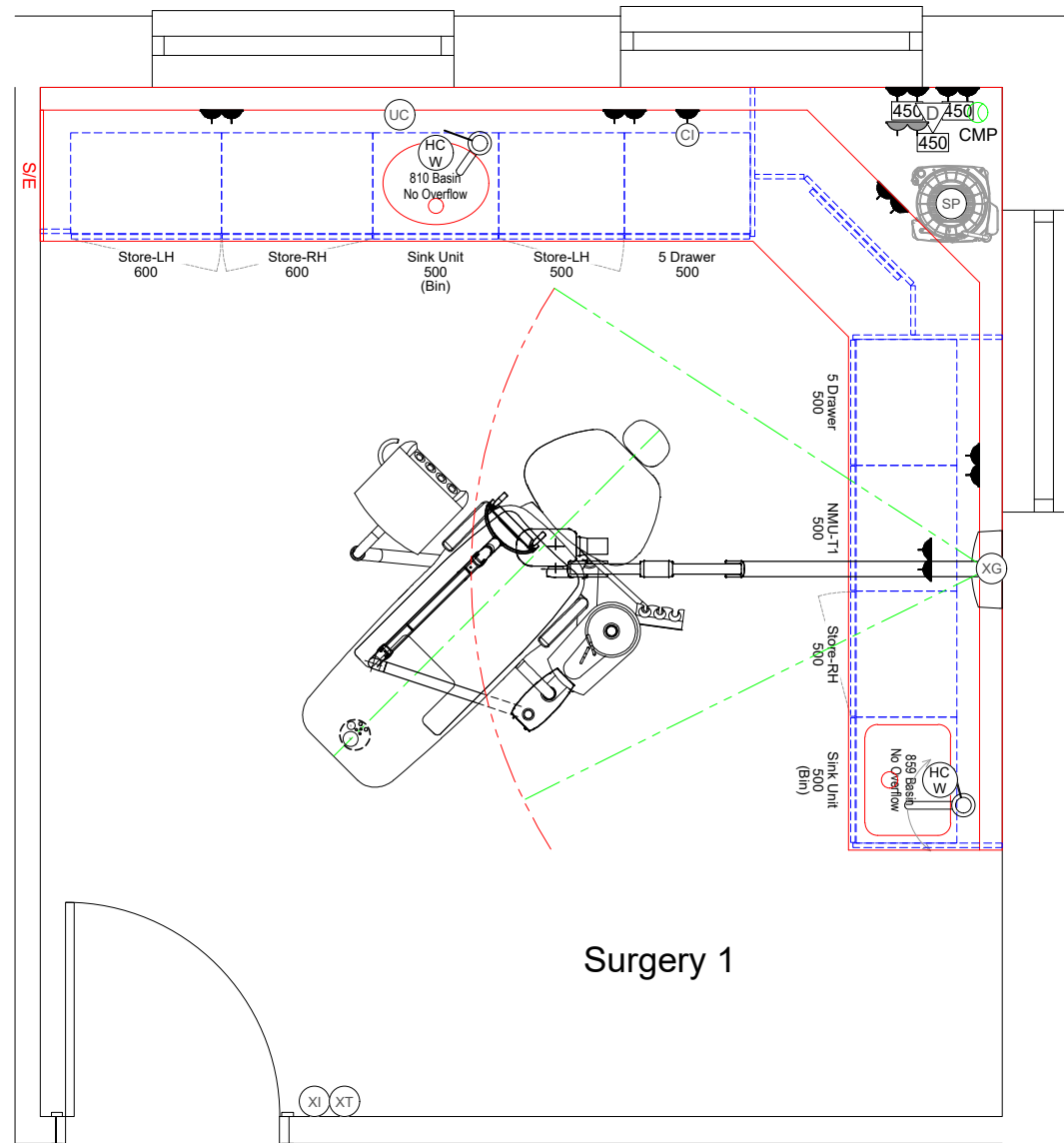
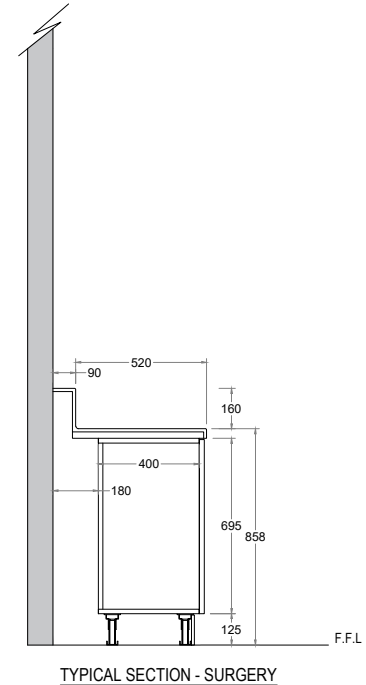
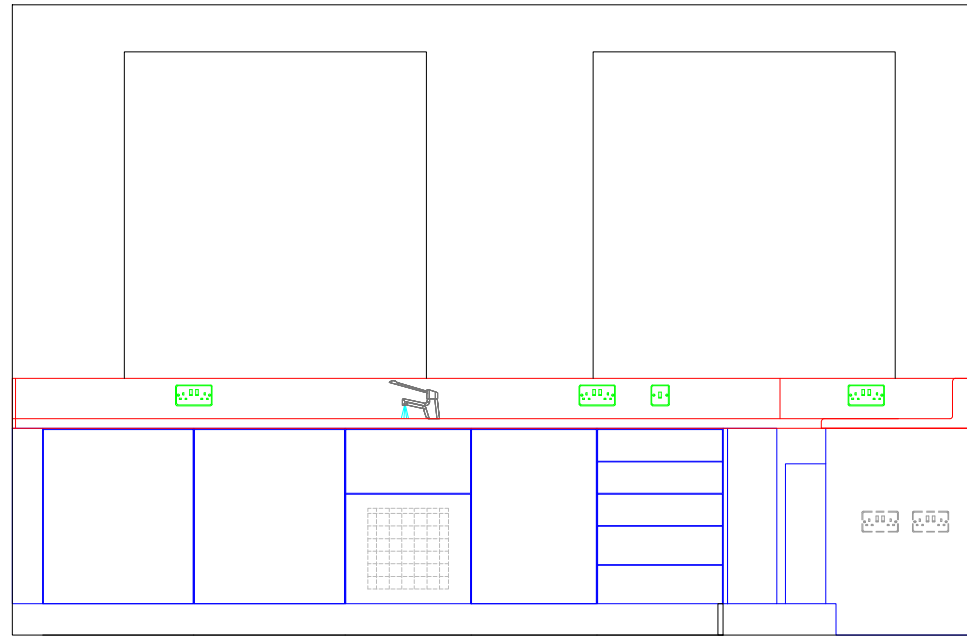
DRAWING SCALE: 1:50	A3
---------------------	----

	NAME	DATE
DRAWN BY: GH		15/07/2021
CHECKED BY: *		*

DO NOT SCALE FROM THIS DRAWING.

ALL DIMENSIONS ARE IN mm UNLESS OTHERWISE STATED

THIS DRAWING IS AN ANGLIAN DENTAL ENGINEERING
A3 ORIGINAL
COPYRIGHT ANGLIAN DENTAL ENGINEERING ©2020



IMPORTANT NOTES

WORK TO FIGURED DIMENSIONS ONLY.
CHECK DIMENSIONS ON SITE BEFORE COMMENCING WORK.

ANY DISCREPANCIES SHOULD BE REPORTED BACK TO OUR OFFICE.

X-RAY LOCATION / RPA

Any indications given in respect of radiation protection, the siting of x-ray equipment and / or x-ray controls is for guidance purposes only. It is for your appointed RPA to review the environment in which the x-ray machine is to operate and to ensure your compliance under IRR99. This drawing should not be used as the basis for any design, construction work or the provisioning of services involving x-ray equipment without the approval of your RPA.

THIS DESIGN SHOULD BE APPROVED BY YOUR INFECTION CONTROL ADVISOR PRIOR TO COMMENCEMENT OF WORKS.



Park Farm Lane, Nuthampstead
Herts SG8 8LZ

Tel: 01763 849990
Email: info@angliandental.co.uk

CLIENT: TOHEED NASIR

LOCATION: UNIT 4 CUTBUSH COURT
DANEHILL, READING
RG6 4UW

TITLE: ROOM LAYOUT

ROOM: GROUND FLOOR SURGERY 1

JOB REF: ----

DRAWING No: D30834-A101-100-S1	Rev E
--------------------------------	-----------------

DRAWING SCALE: 1:30	A3
---------------------	-----------

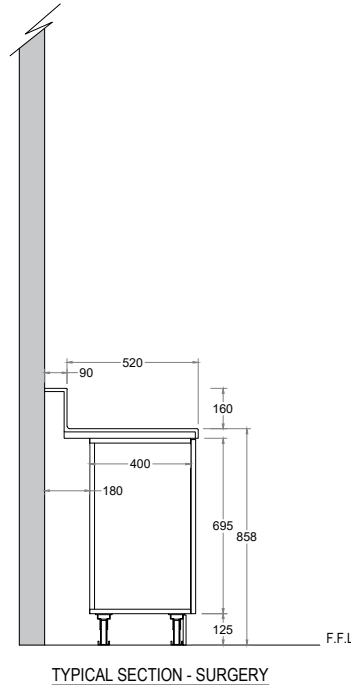
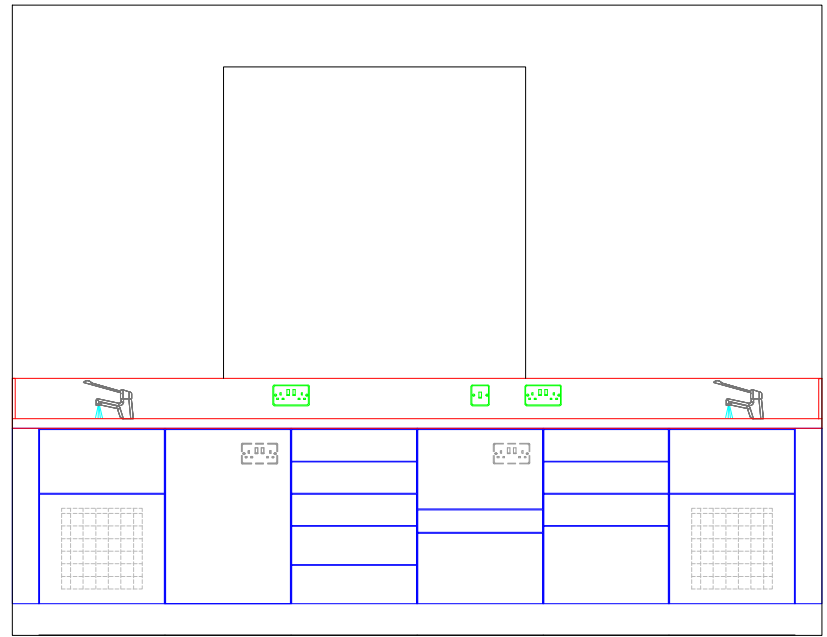
	NAME	DATE
DRAWN BY:	GH	15/07/2021
CHECKED BY:	*	*

DO NOT SCALE FROM THIS DRAWING.

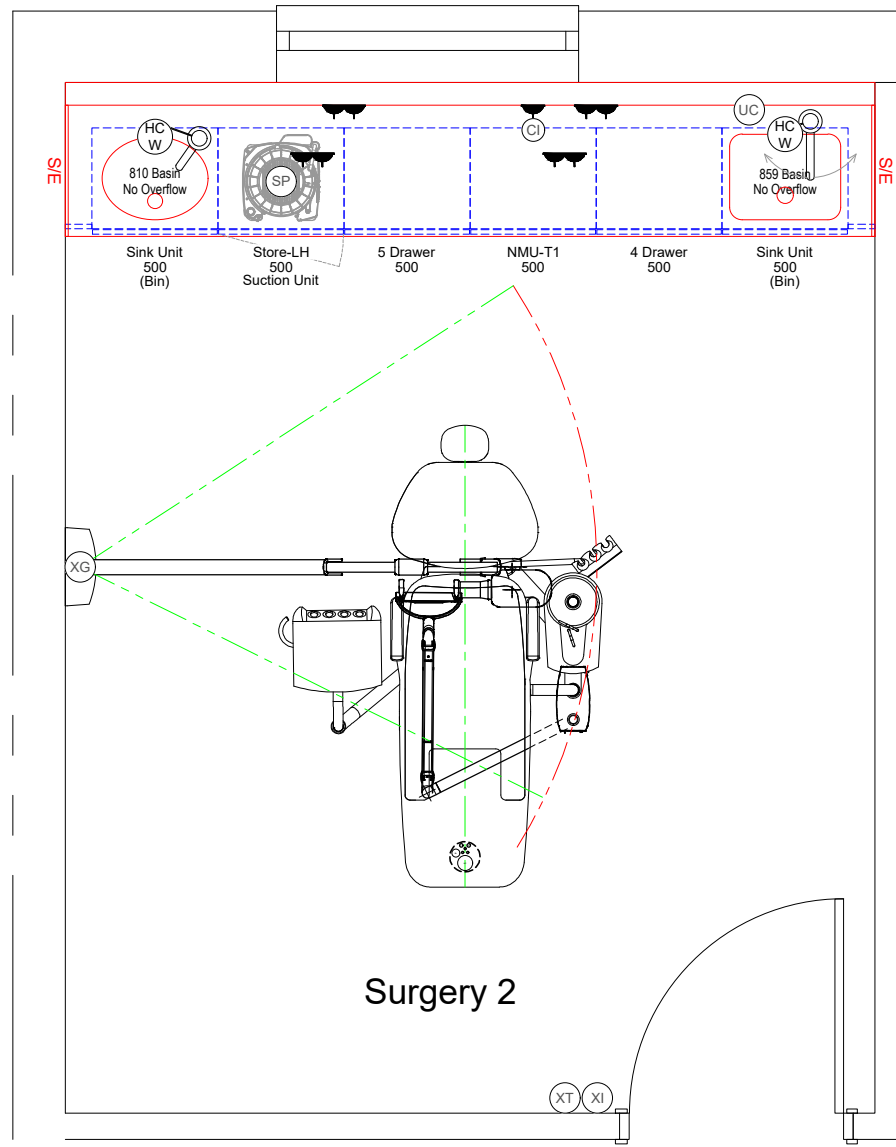
ALL DIMENSIONS ARE IN mm UNLESS OTHERWISE STATED

THIS DRAWING IS AN ANGLIAN DENTAL ENGINEERING A3 ORIGINAL

COPYRIGHT ANGLIAN DENTAL ENGINEERING ©2020



TYPICAL SECTION - SURGERY



IMPORTANT NOTES

WORK TO FIGURED DIMENSIONS ONLY.
CHECK DIMENSIONS ON SITE BEFORE COMMENCING WORK.
ANY DISCREPANCIES SHOULD BE REPORTED BACK TO OUR OFFICE.

X-RAY LOCATION / RPA

Any indications given in respect of radiation protection, the siting of x-ray equipment and / or x-ray controls is for guidance purposes only. It is for your appointed RPA to review the environment in which the x-ray machine is to operate and to ensure your compliance under IRR99. This drawing should not be used as the basis for any design, construction work or the provisioning of services involving x-ray equipment without the approval of your RPA.

THIS DESIGN SHOULD BE APPROVED BY YOUR INFECTION CONTROL ADVISOR PRIOR TO COMMENCEMENT OF WORKS.



Park Farm Lane, Nuthampstead
Herts SG8 8LZ

Tel: 01763 849990
Email: info@angliandental.co.uk

CLIENT: TOHEED NASIR

LOCATION: UNIT 4 CUTBUSH COURT
DANEHILL, READING
RG6 4UW

TITLE: ROOM LAYOUT

ROOM: GROUND FLOOR SURGERY 2

JOB REF: ----

DRAWING No: D30834-A101-100-S2	Rev E
--------------------------------	-----------------

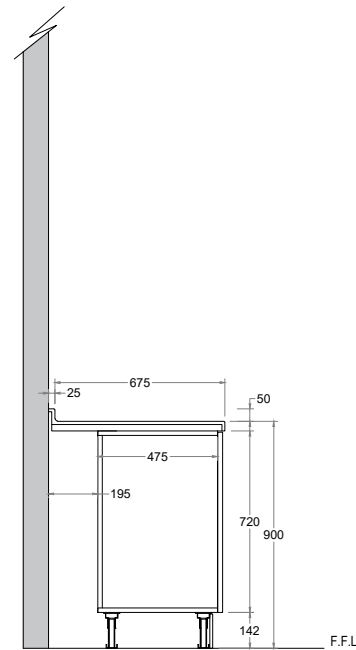
DRAWING SCALE: 1:30	A3
---------------------	-----------

	NAME	DATE
DRAWN BY:	GH	15/07/2021
CHECKED BY:	*	*

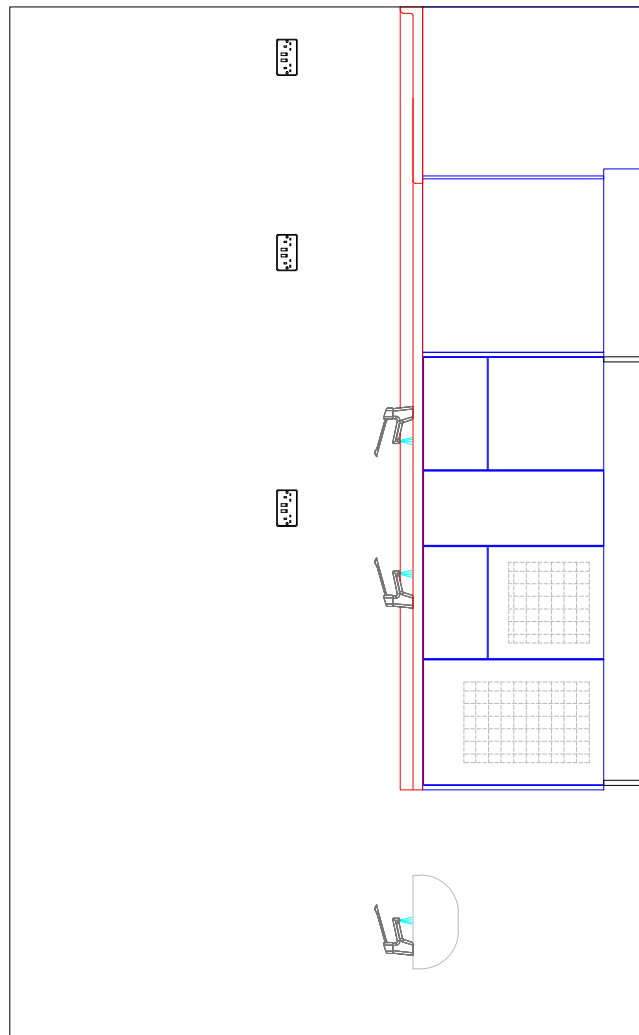
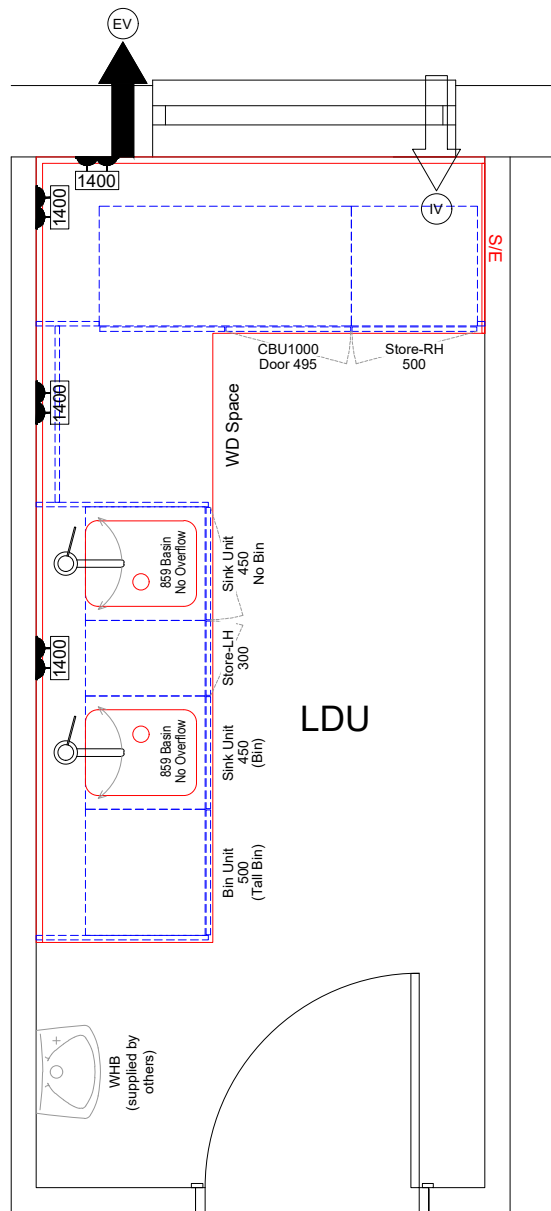
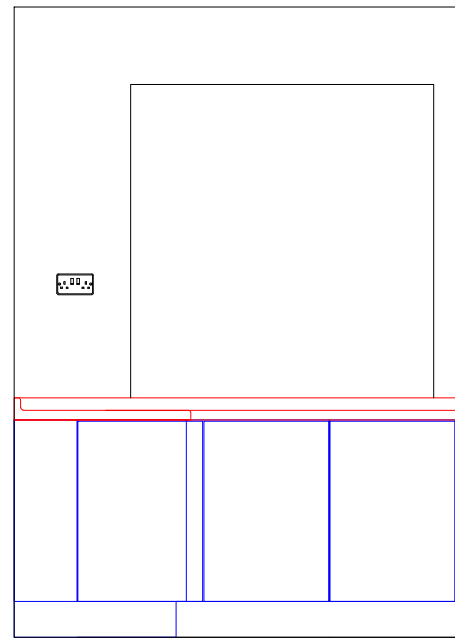
DO NOT SCALE FROM THIS DRAWING.

ALL DIMENSIONS ARE IN mm UNLESS OTHERWISE STATED

THIS DRAWING IS AN ANGLIAN DENTAL ENGINEERING A3 ORIGINAL
COPYRIGHT ANGLIAN DENTAL ENGINEERING ©2020



TYPICAL SECTION - LDU



IMPORTANT NOTES

WORK TO FIGURED DIMENSIONS ONLY.
CHECK DIMENSIONS ON SITE BEFORE COMMENCING WORK.

ANY DISCREPANCIES SHOULD BE REPORTED BACK TO OUR OFFICE.

X-RAY LOCATION / RPA

Any indications given in respect of radiation protection, the siting of x-ray equipment and / or x-ray controls is for guidance purposes only. It is for your appointed RPA to review the environment in which the x-ray machine is to operate and to ensure your compliance under IRR99. This drawing should not be used as the basis for any design, construction work or the provisioning of services involving x-ray equipment without the approval of your RPA.

THIS DESIGN SHOULD BE APPROVED BY YOUR INFECTION CONTROL ADVISOR PRIOR TO COMMENCEMENT OF WORKS.



Park Farm Lane, Nuthampstead
Herts SG8 8LZ

Tel: 01763 849990
Email: info@angliandental.co.uk

CLIENT: TOHEED NASIR

LOCATION: UNIT 4 CUTBUSH COURT
DANEHILL, READING
RG6 4UW

TITLE: ROOM LAYOUT

ROOM: GROUND FLOOR LDU

JOB REF: ----

DRAWING No: D30834-A101-100-LDU	Rev E
---------------------------------	-----------------

DRAWING SCALE: 1:30	A3
---------------------	-----------

	NAME	DATE
DRAWN BY:	GH	15/07/2021
CHECKED BY:	*	*

DO NOT SCALE FROM THIS DRAWING.

ALL DIMENSIONS ARE IN mm UNLESS OTHERWISE STATED

THIS DRAWING IS AN ANGLIAN DENTAL ENGINEERING
A3 ORIGINAL

COPYRIGHT ANGLIAN DENTAL ENGINEERING ©2020